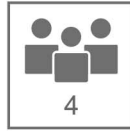



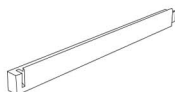
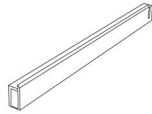
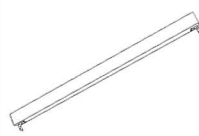
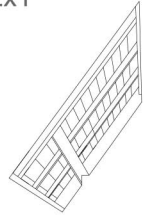
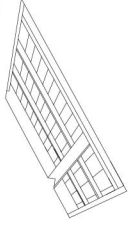

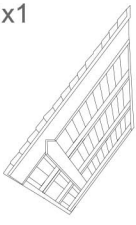
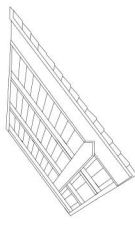



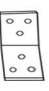
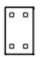






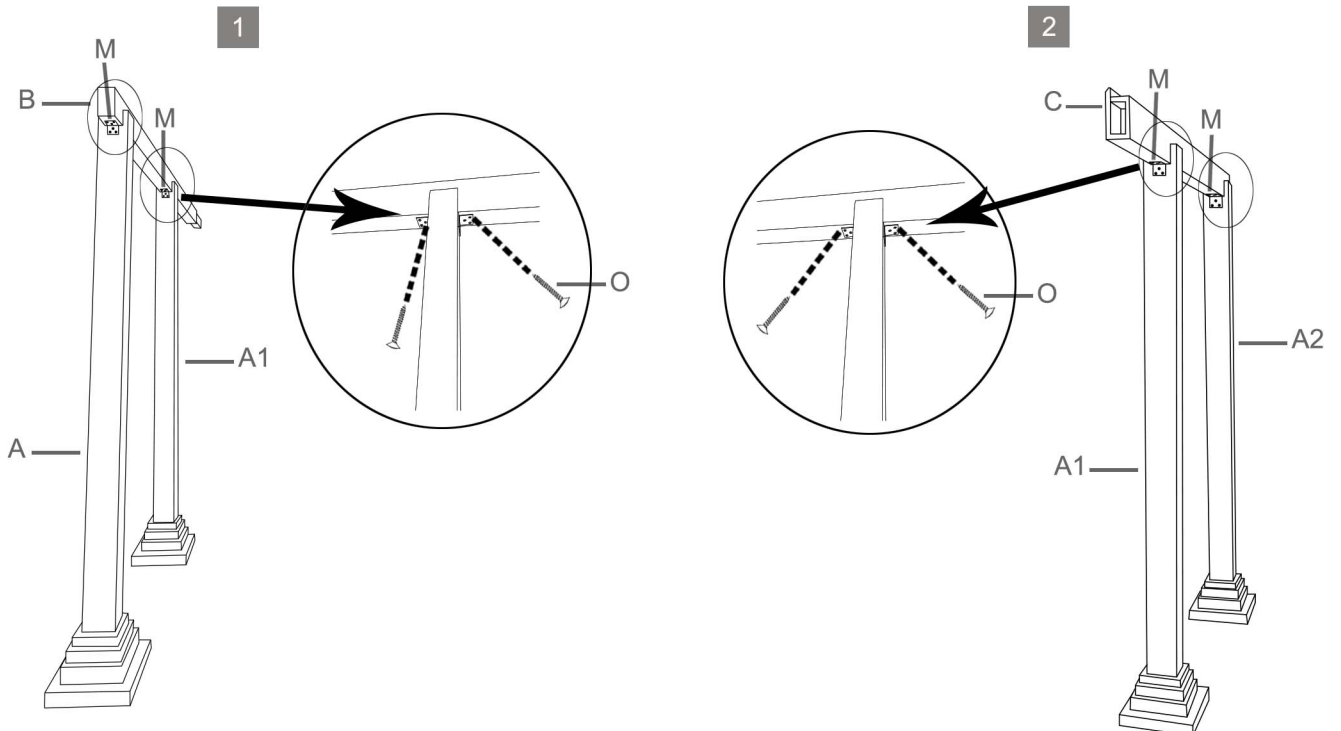


LOBERON

COMING HOME

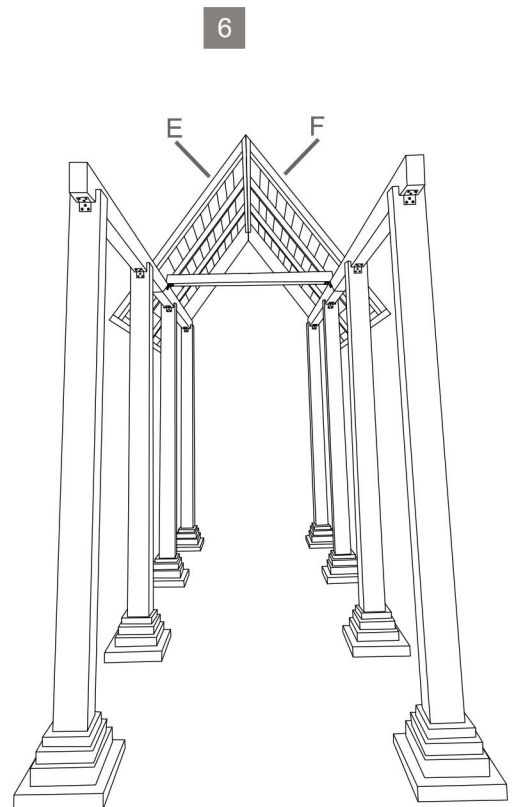
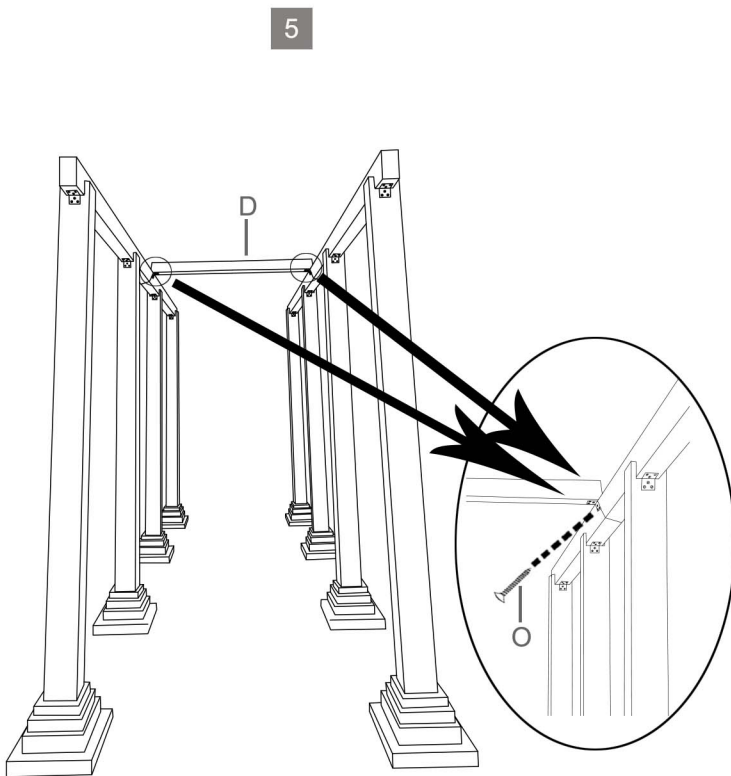
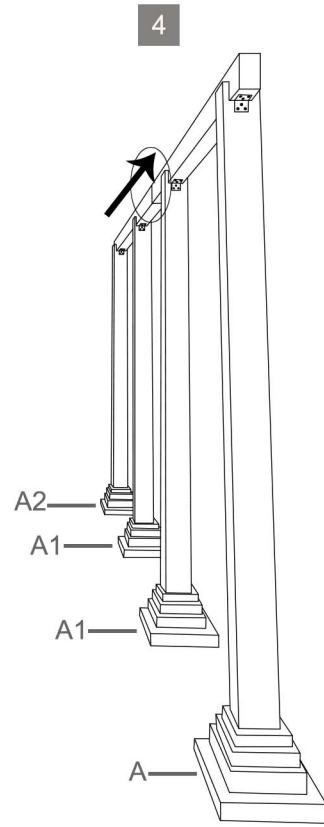
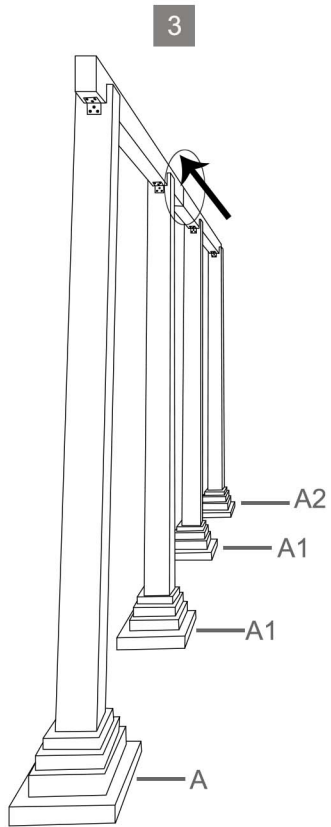


Ax2 	A1x4 	A2x2 	Bx2 	Cx2 	Dx1 	Ex1 	
Fx1 	Gx2 	Hx1 	Ix1 	Jx1 	Kx1 	Lx8 	
Mx24 	Nx3 	Ox150  φ3.5x25mm	Px12  φ3.5x30mm	Qx16  φ4mm φ12mm	Rx16  φ3x25mm	Sx32  φ3.5x50mm	Tx8  φ6x80mm



LOBERON

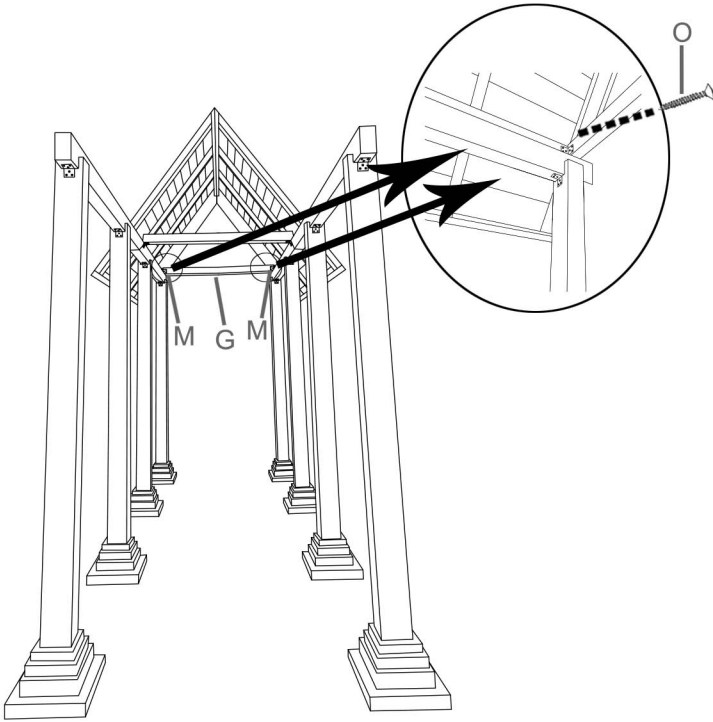
COMING HOME



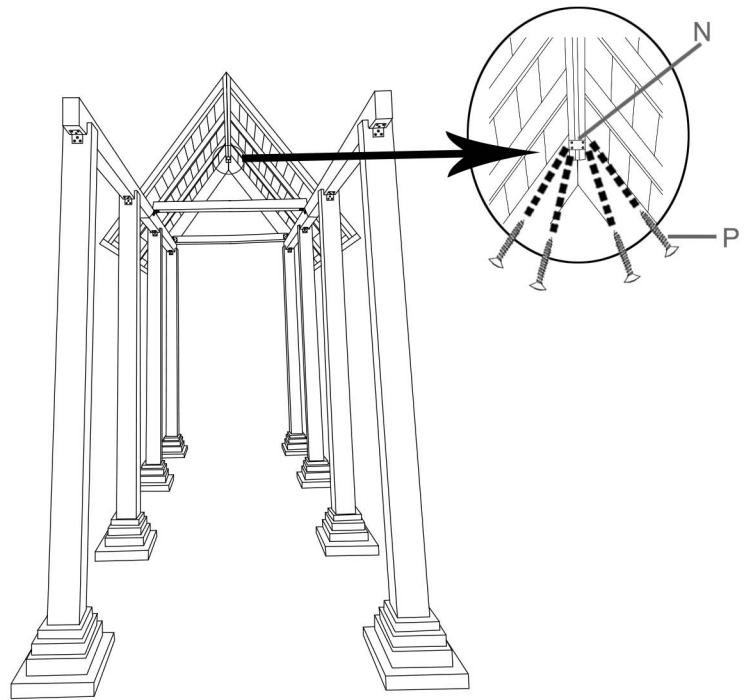
LOBERON

COMING HOME

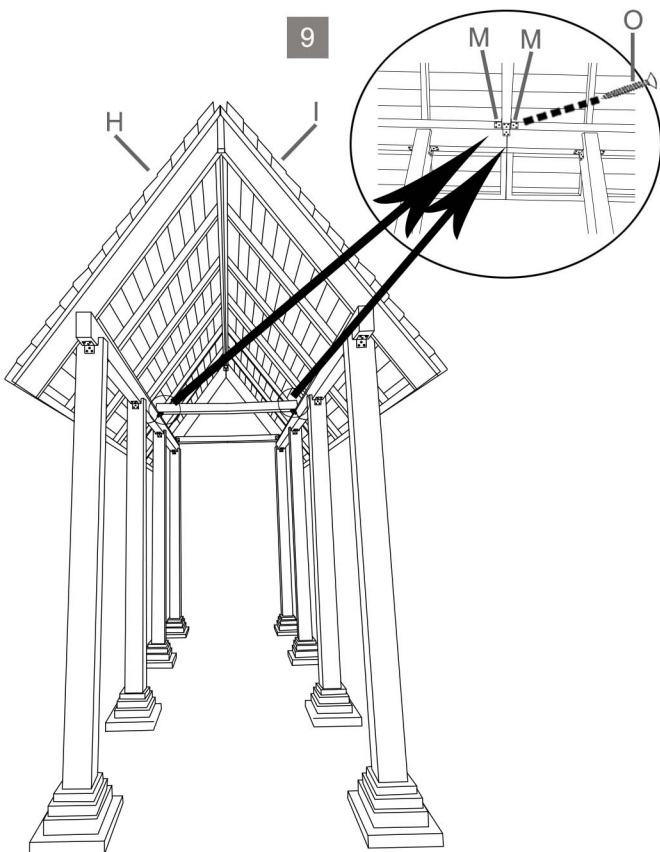
7



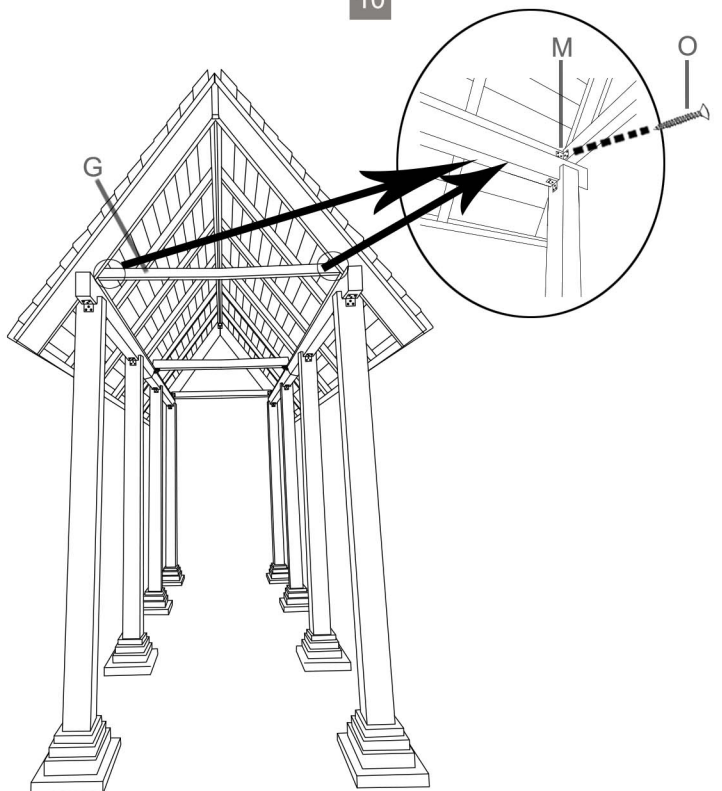
8



9



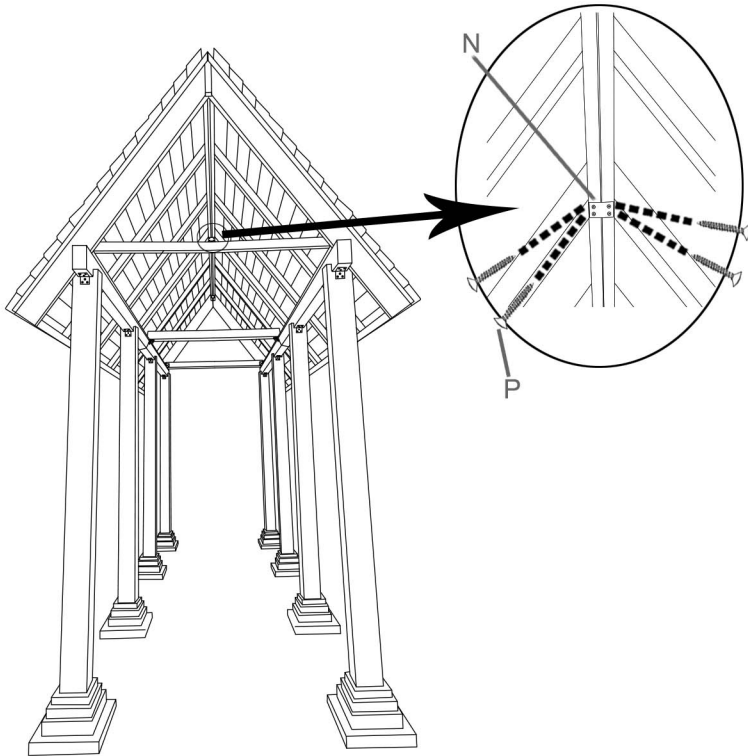
10



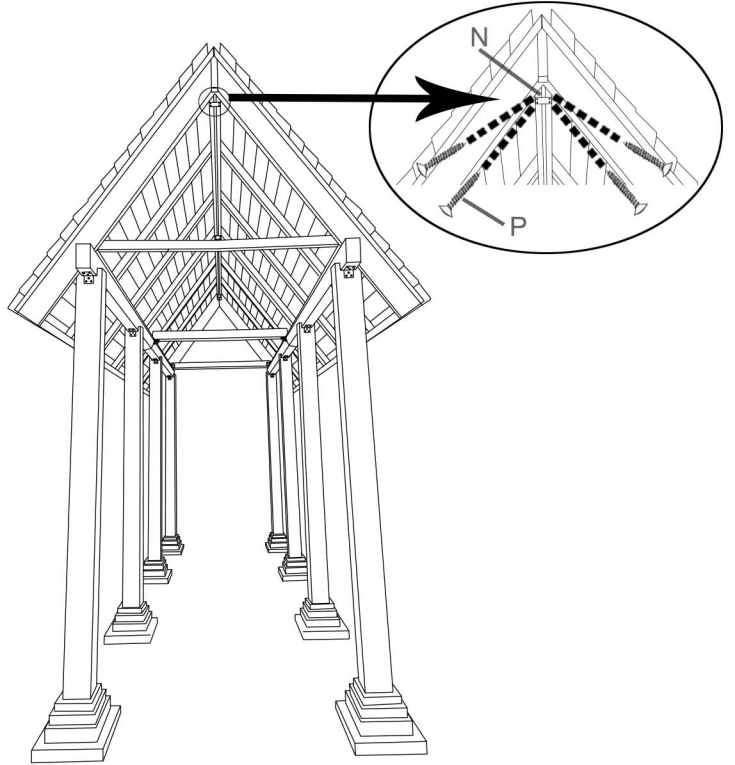
LOBERON

COMING HOME

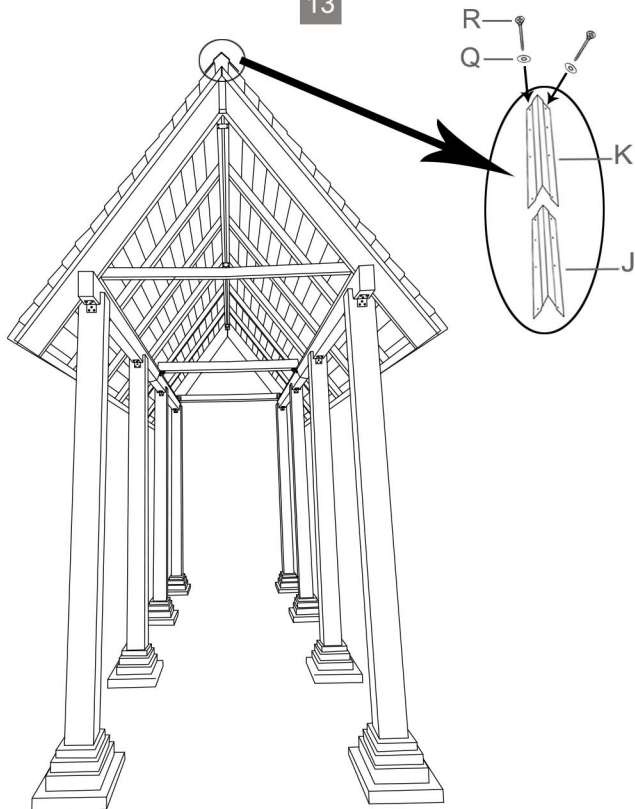
11



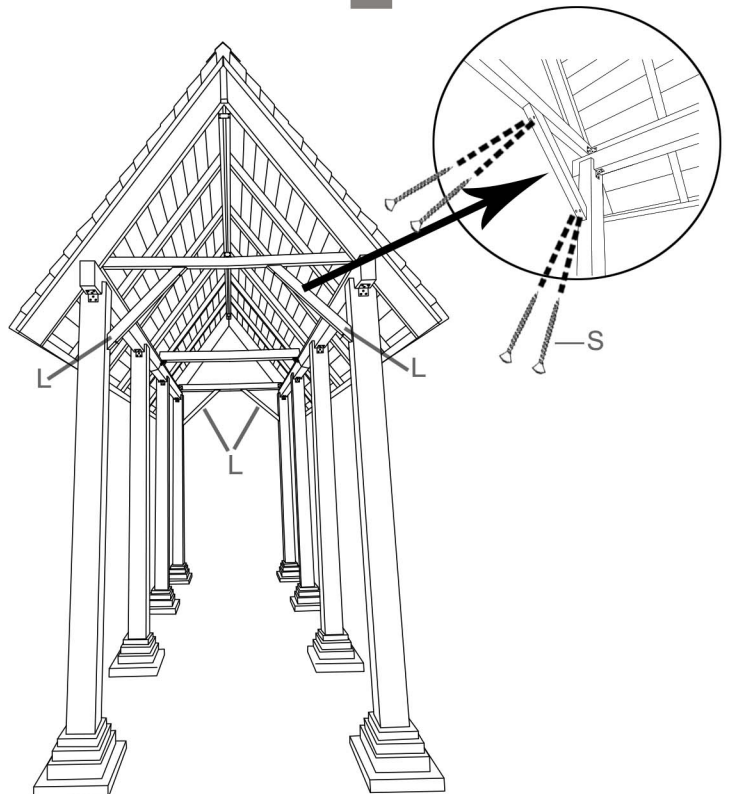
12



13



14



LOBERON

COMING HOME

