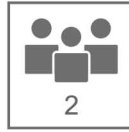


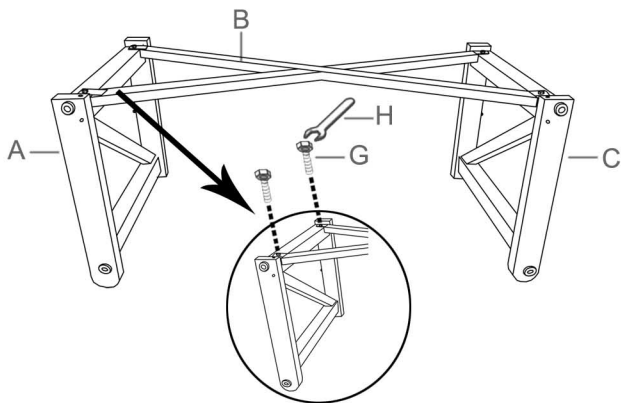
LOBERON

COMING HOME

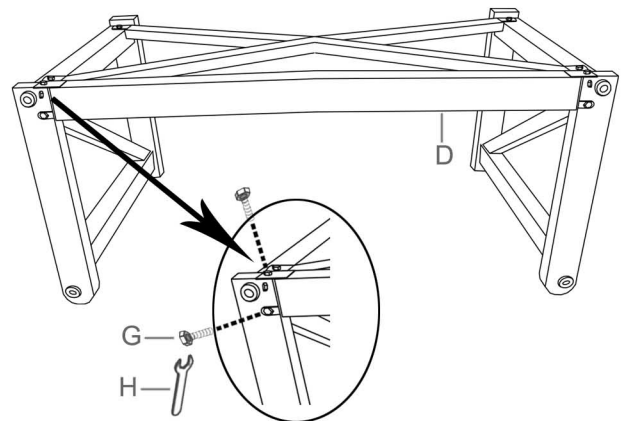


Ax1	Bx1	Cx1	Dx1	Ex1	Fx2	Gx8	Hx1	Ix6
						$\phi 8 \times 20 \text{mm}$	$\phi 8 \text{mm}$	$\phi 3.5 \times 35 \text{mm}$

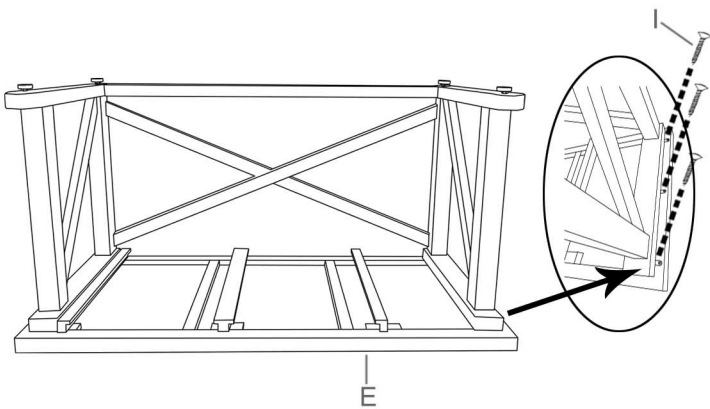
1



2



3



4

