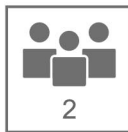


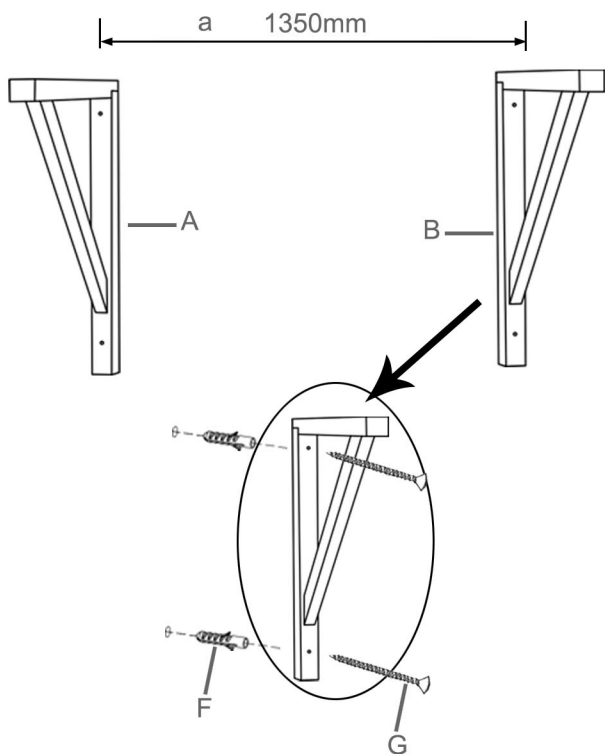
# LOBERON

COMING HOME

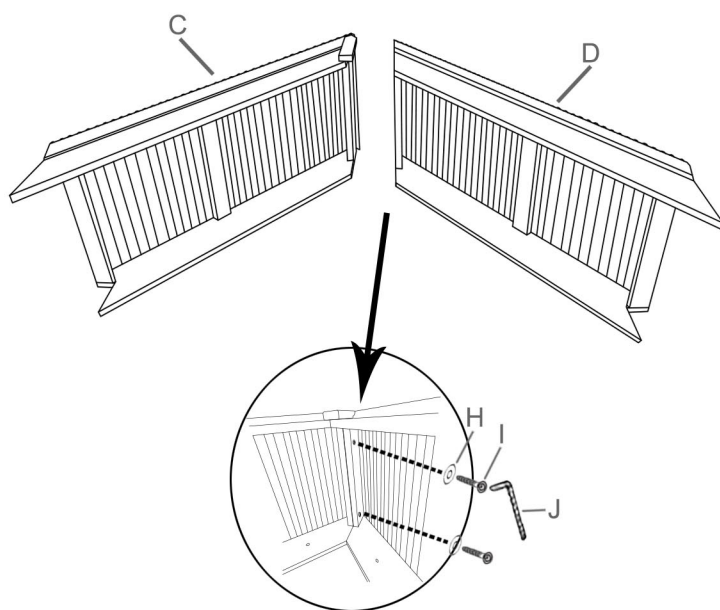


Ax1	Bx1	Cx1	Dx1	Ex1	Fx6
Gx4	Hx2	Ix2	Jx1	Kx2	Lx4
$\phi 4 \times 90 \text{mm}$	$\phi 6 \text{mm}$	$\phi 6 \times 40 \text{mm}$	$\phi 6 \text{mm}$	$\phi 3.5 \times 35 \text{mm}$	$\phi 3.5 \times 70 \text{mm}$

1



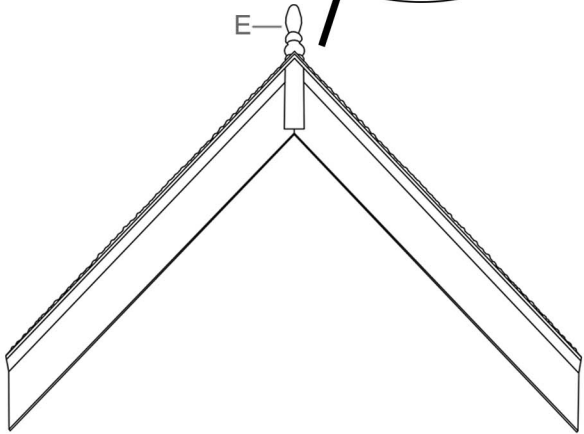
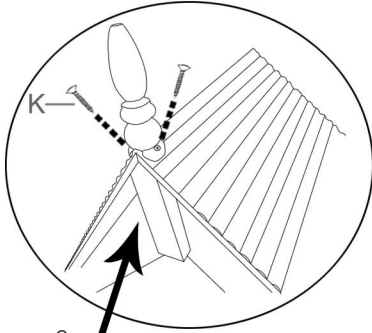
2



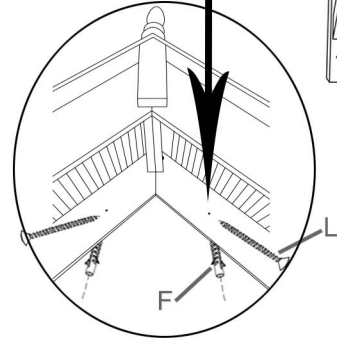
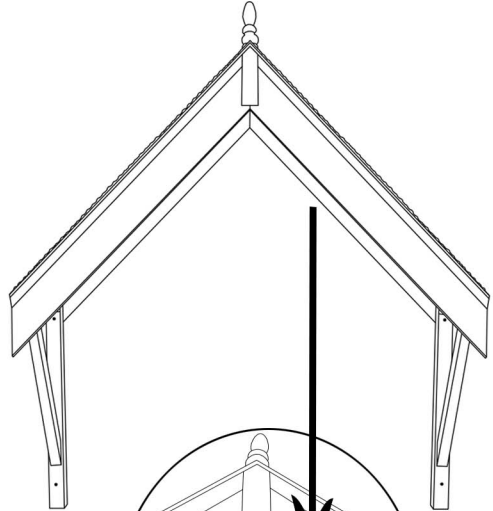
# LOBERON

COMING HOME

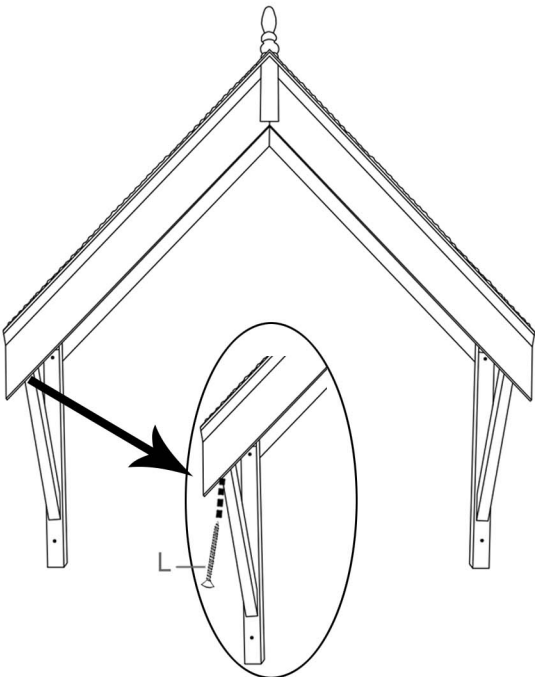
3



4



5



6

