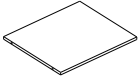
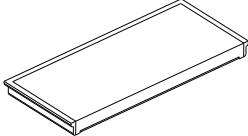
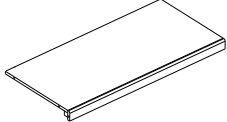
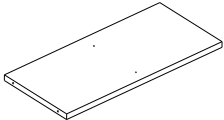
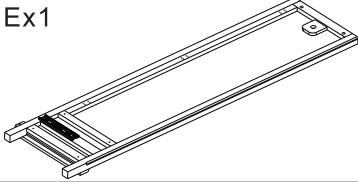
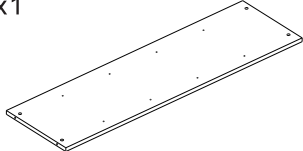
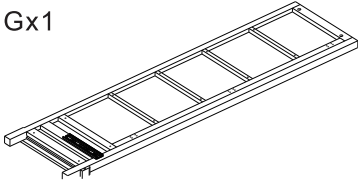
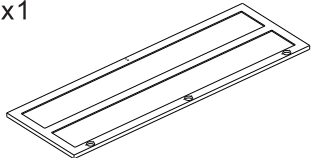
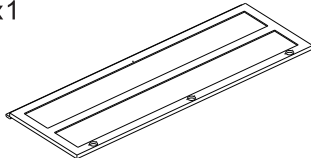
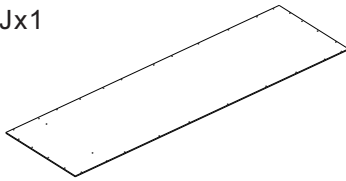
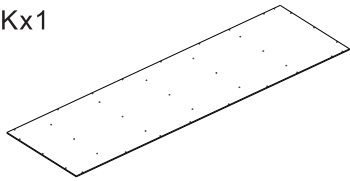
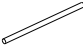
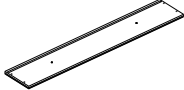
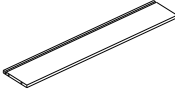


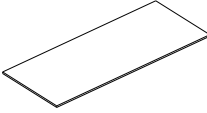
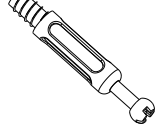

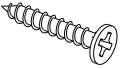
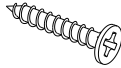


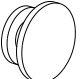
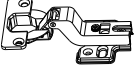




LOBERON

COMING HOME

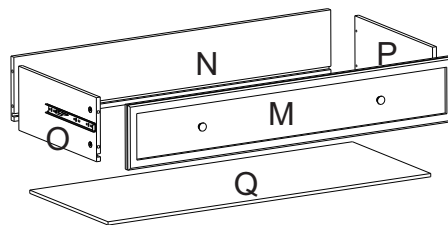
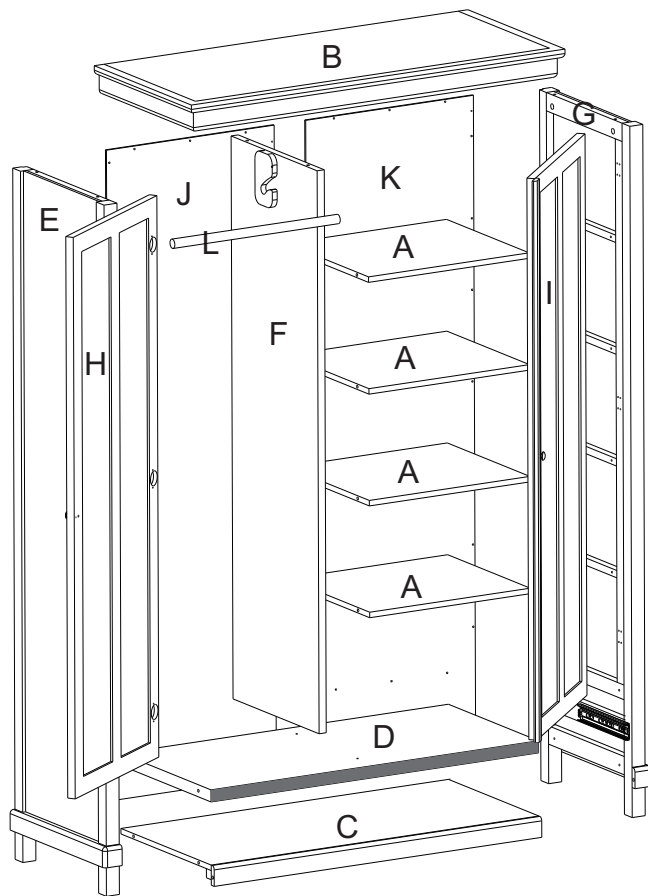


| | | | | | |
|---|---|--|---|--|--|
| Ax4  | Bx1  | Cx1  | | | |
| Dx1  | Ex1  | Fx1  | | | |
| Gx1  | Hx1  | Ix1  | | | |
| Jx1  | Kx1  | Lx1  | | | |
| Mx1  | Nx1  | Ox1  | | | |
| Px1  | Qx1  | | | | |
| Rx40  | Sx40  | Tx73  M3x16 | Ux36  M3.5x16 | Vx2  M4x30 | |
| Wx2  M4x20 | Xx4  | Yx6  | Zx4  M10 | A1x2  M8x35 | |



LOBERON

COMING HOME




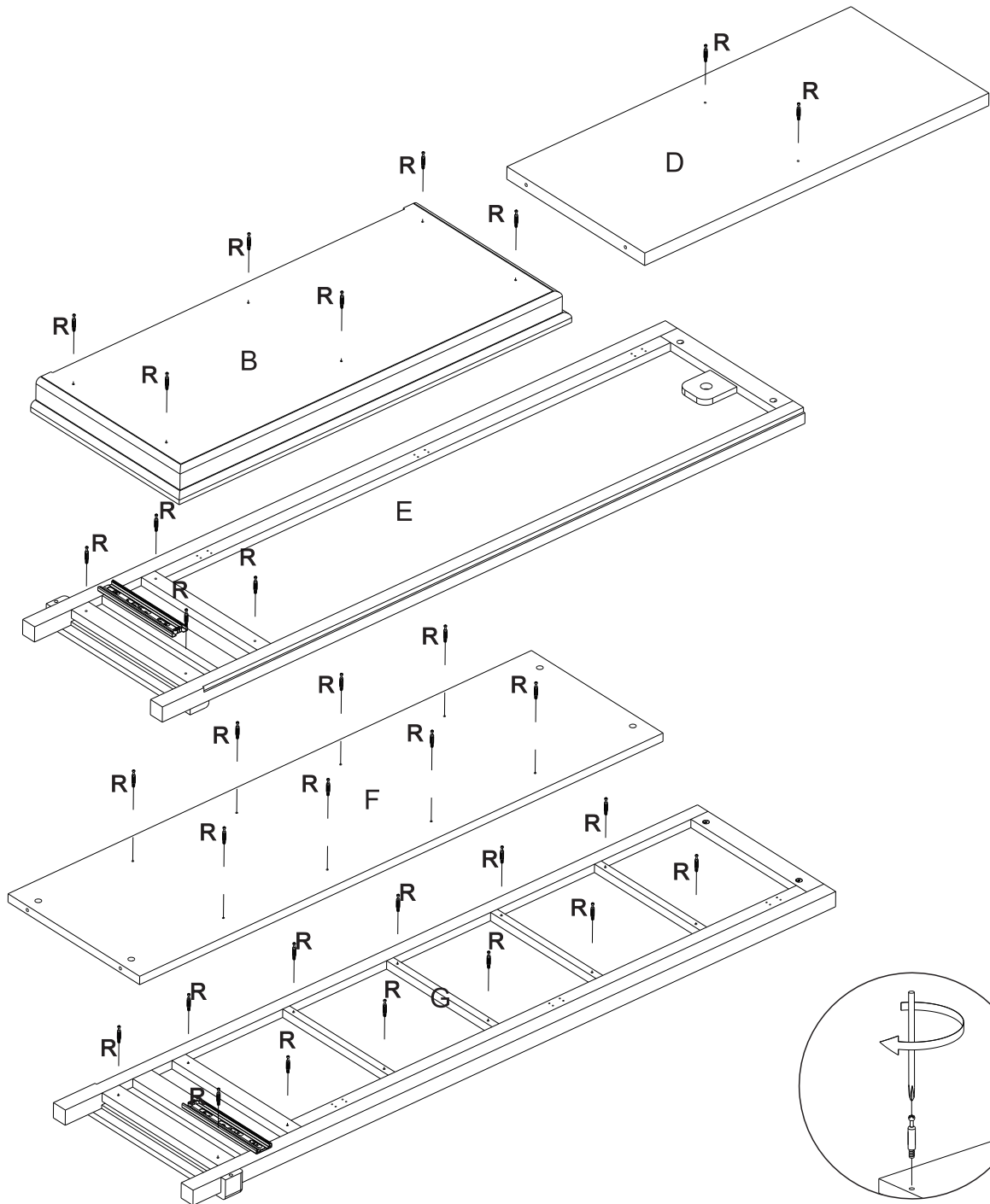
LOBERON

COMING HOME



1

| | | |
|---|---|----|
| R |  | 32 |
|---|---|----|

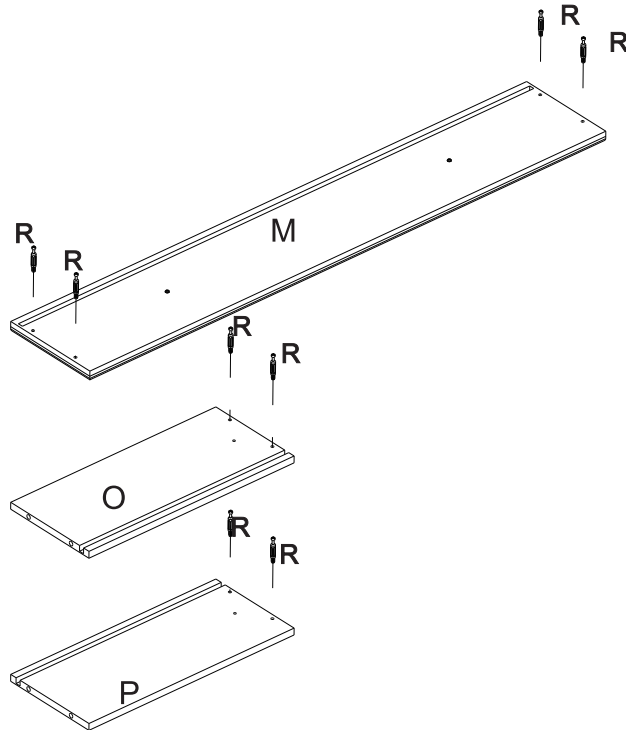
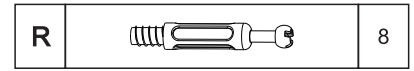


LOBERON

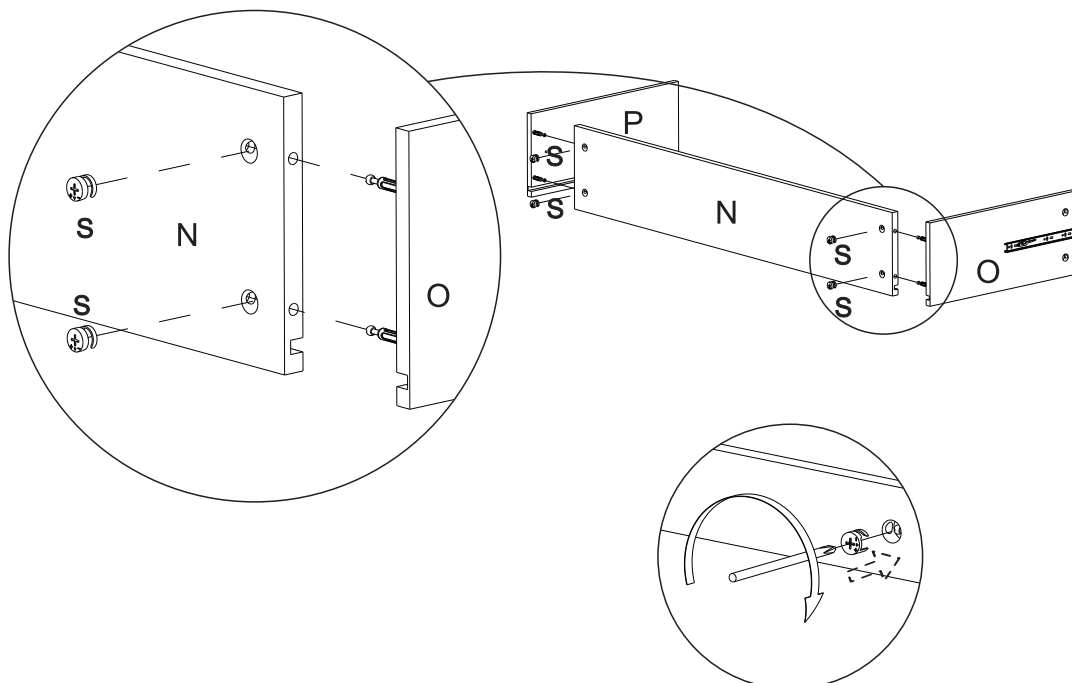
COMING HOME



2



3

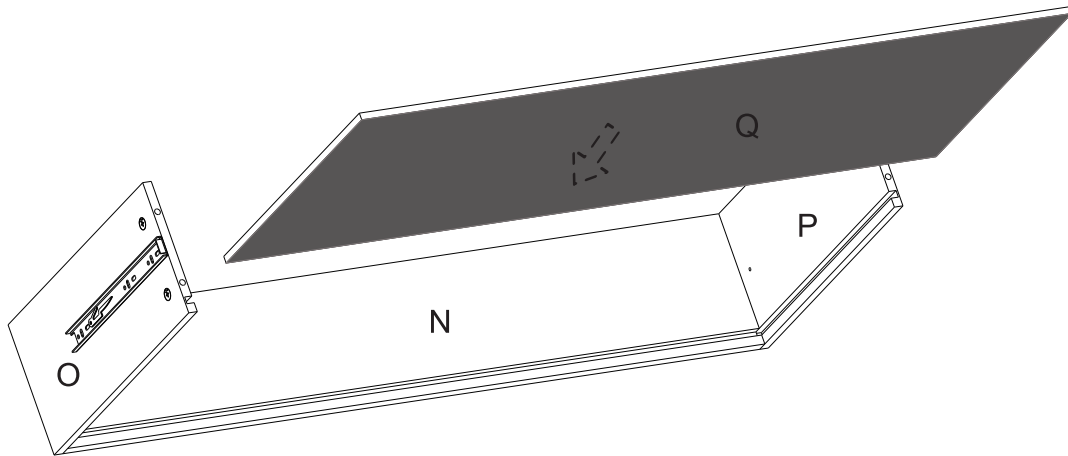


LOBERON

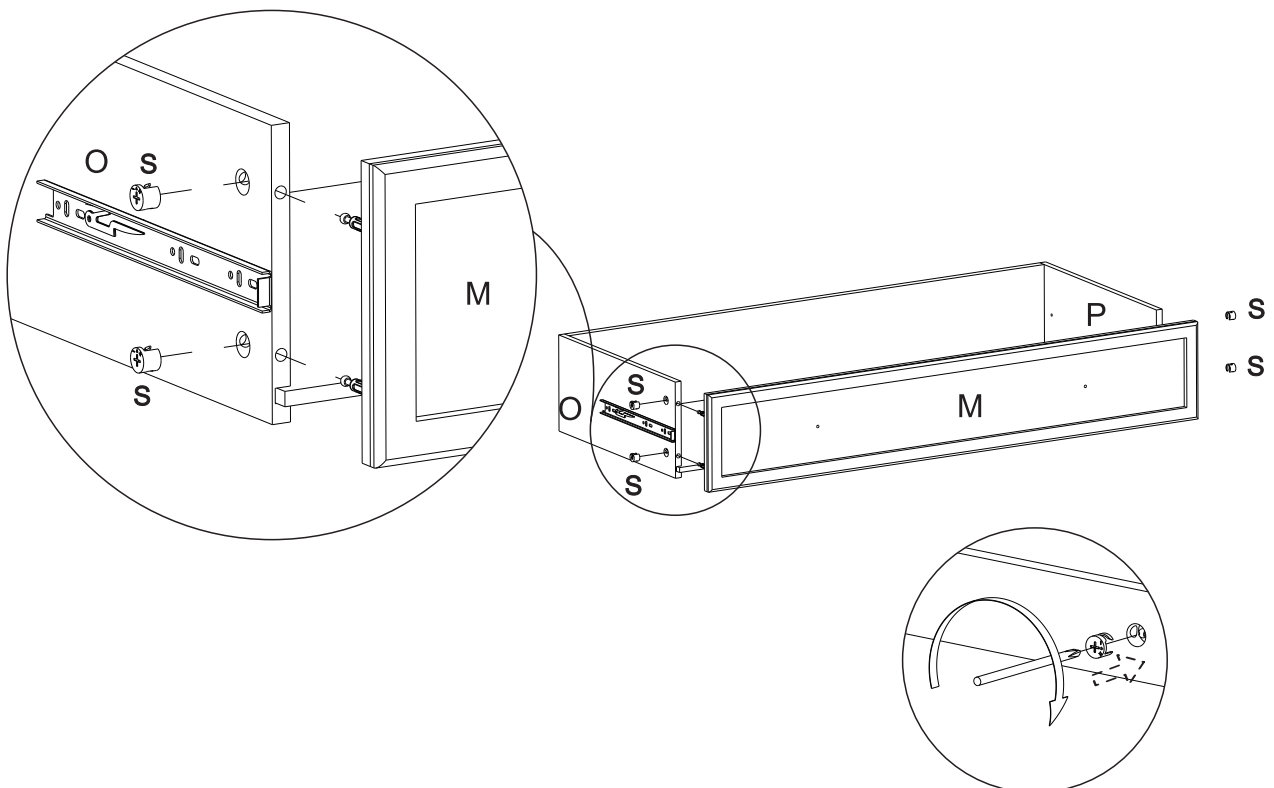
COMING HOME



4

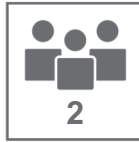


5

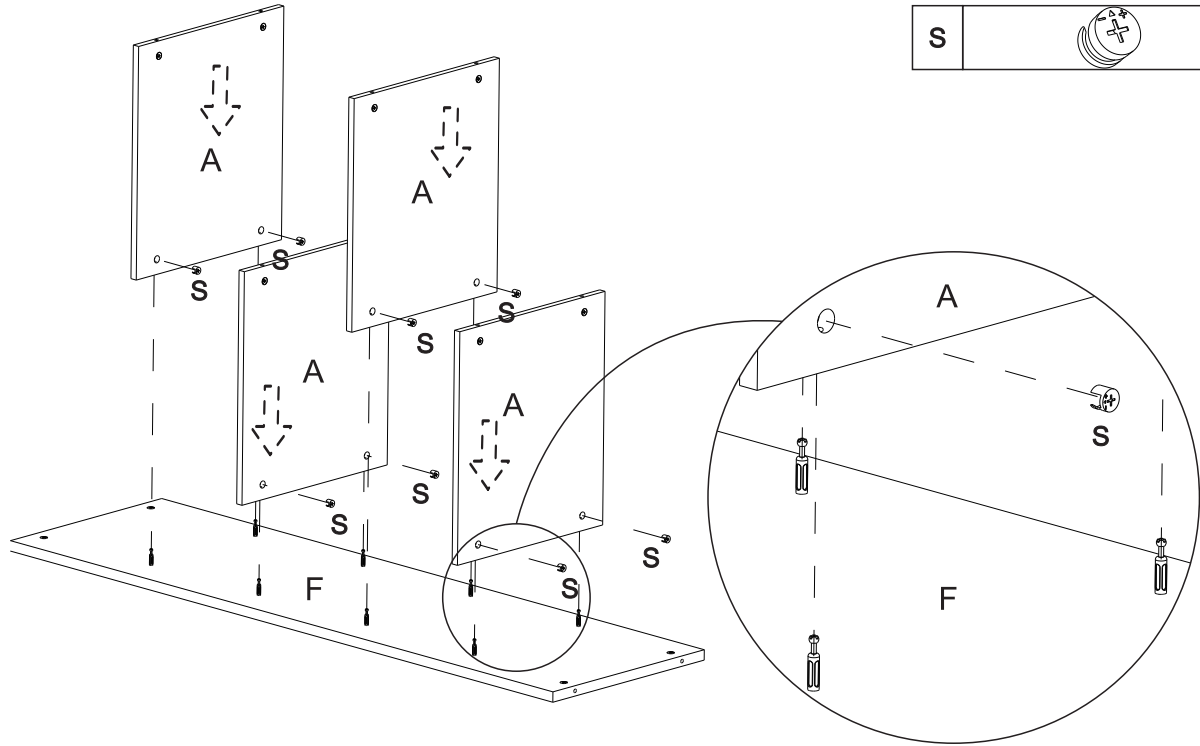


LOBERON

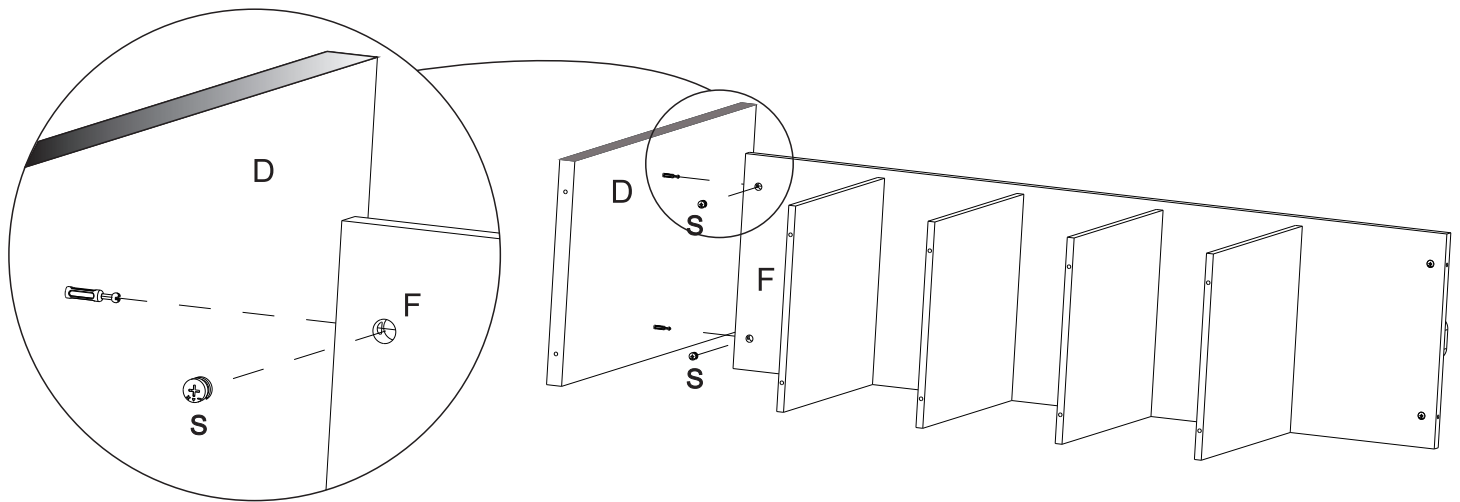
COMING HOME



6

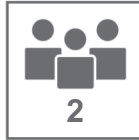


7



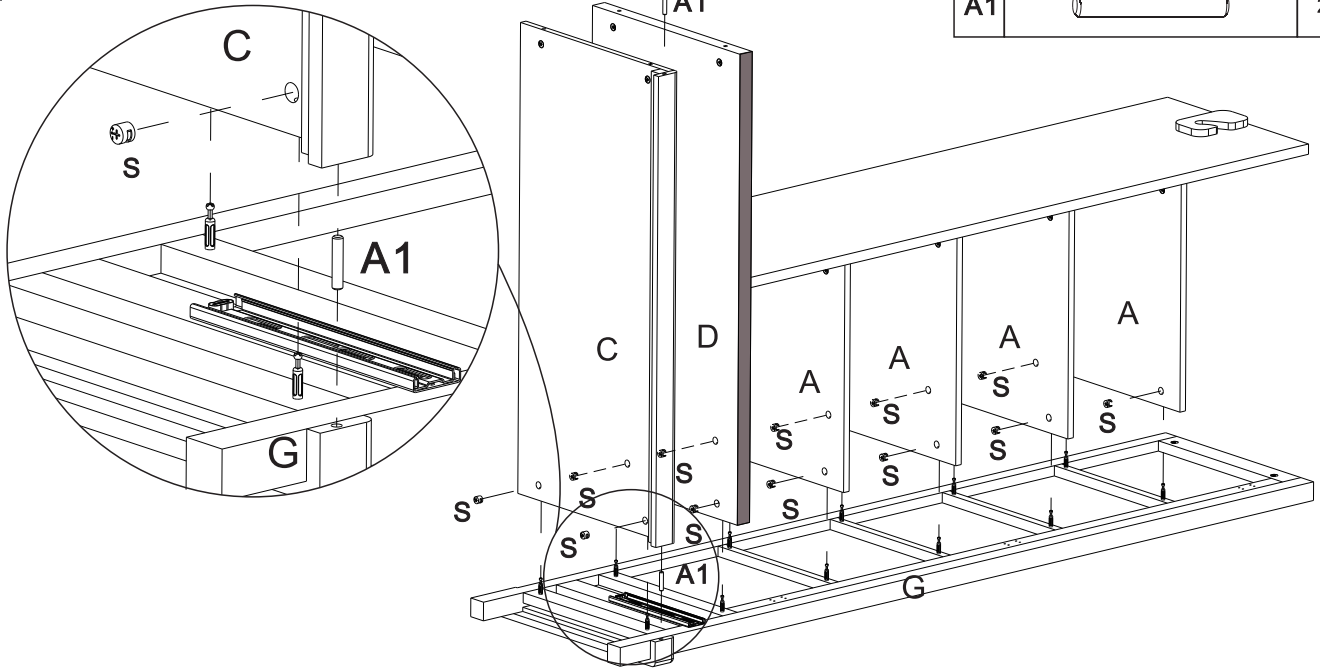
LOBERON

COMING HOME



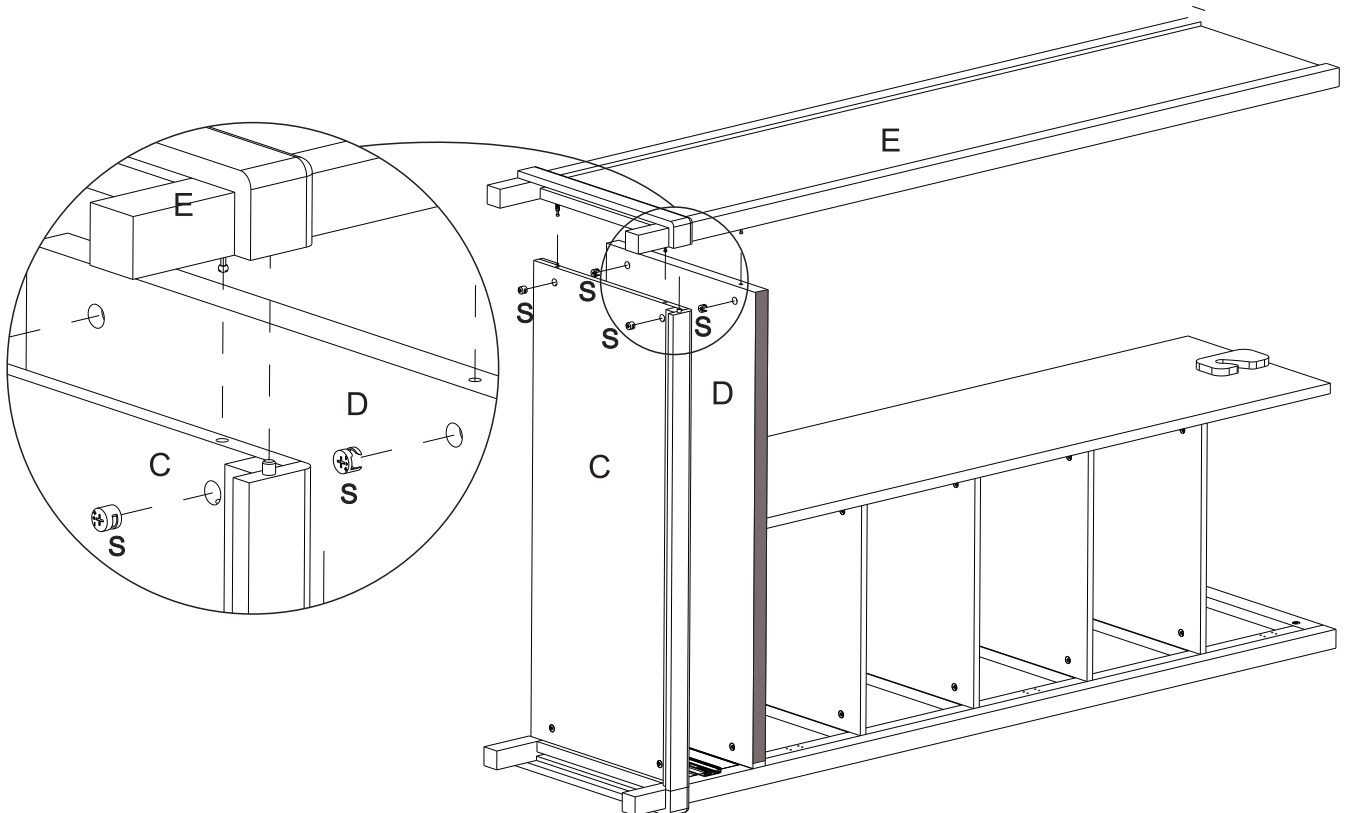
8

| | | |
|----|--|----|
| S | | 12 |
| A1 | | 2 |



9

| | | |
|---|--|---|
| S | | 4 |
|---|--|---|

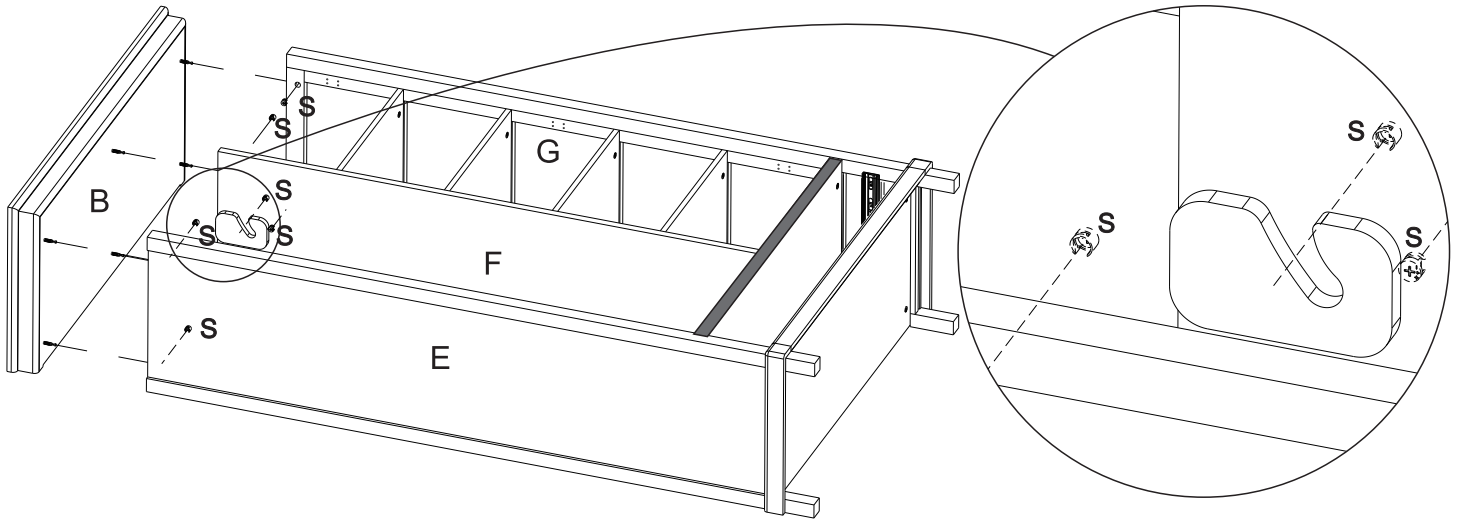


LOBERON

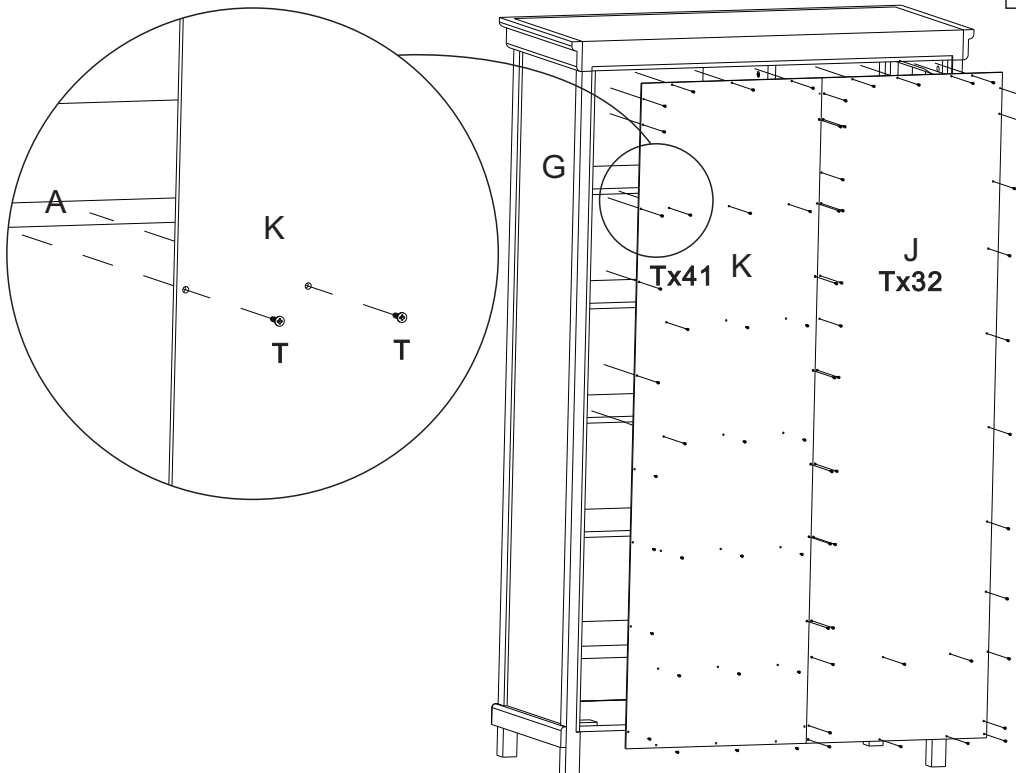
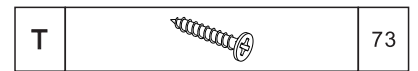
COMING HOME



10

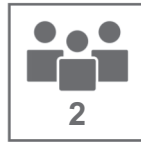


11


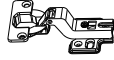


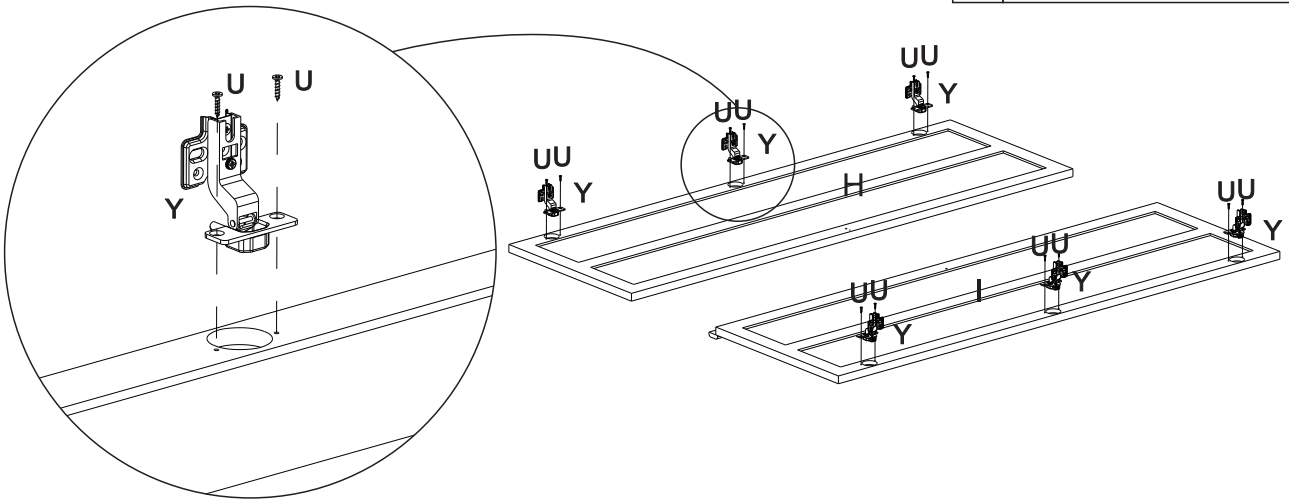
LOBERON

COMING HOME







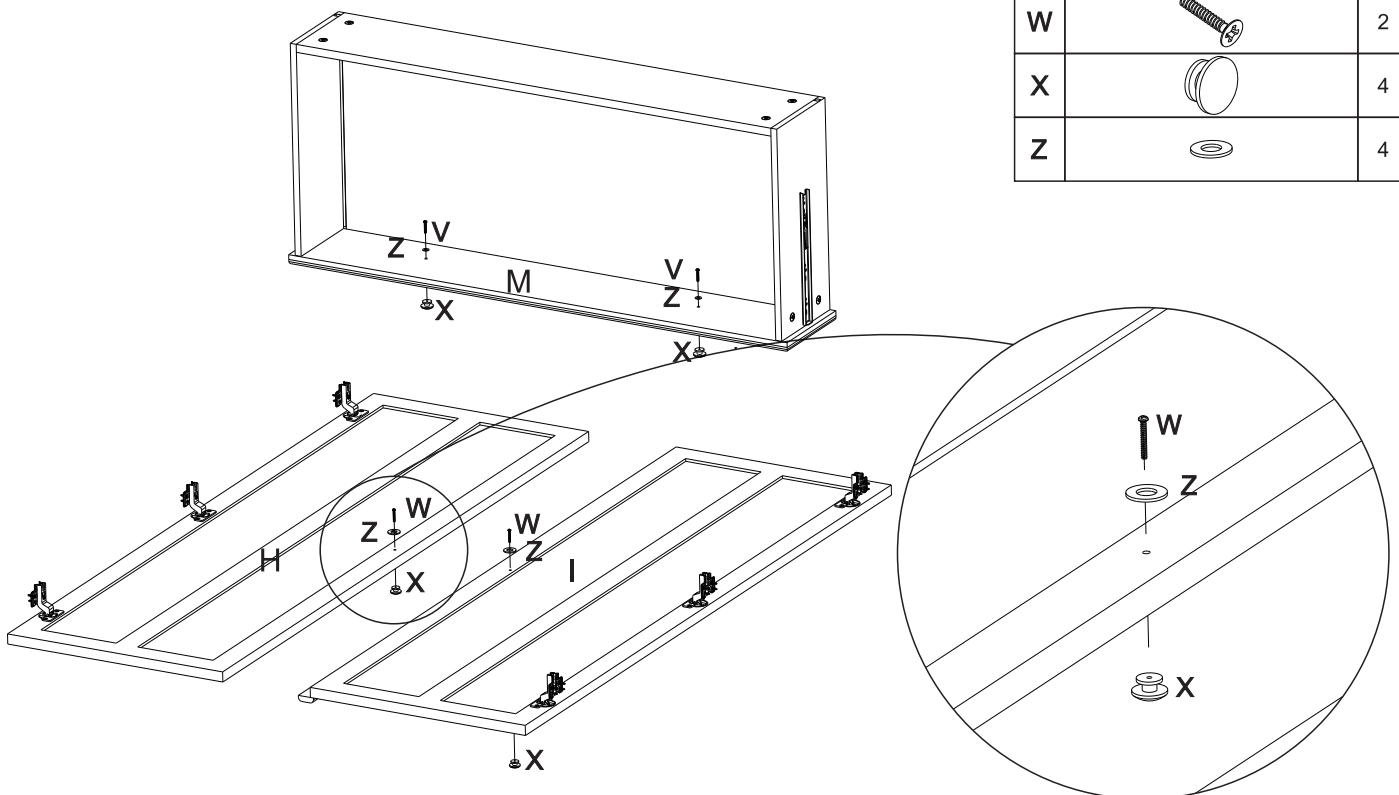
12

| | | |
|---|---|----|
| U |  | 12 |
| Y |  | 6 |



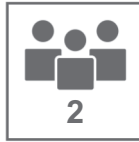
13

| | | |
|---|---|---|
| V |  | 2 |
| W |  | 2 |
| X |  | 4 |
| Z |  | 4 |




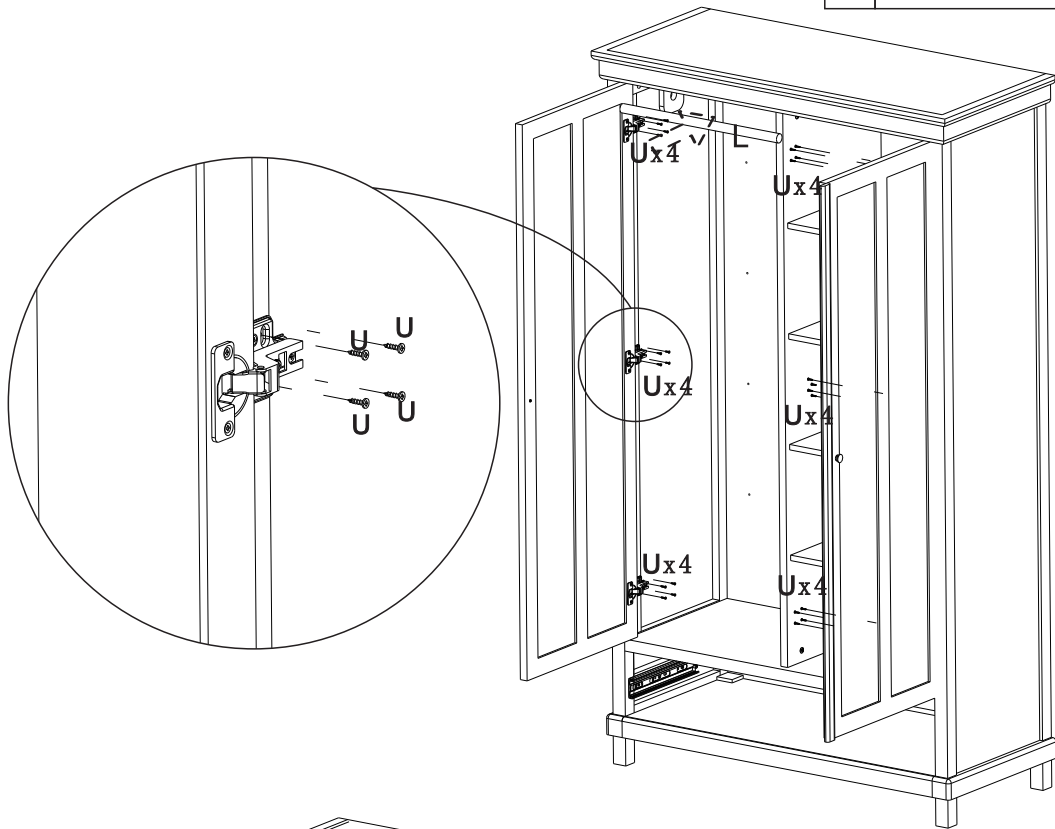
LOBERON

COMING HOME



14

| | | |
|---|---|----|
| U |  | 24 |
|---|---|----|



15

