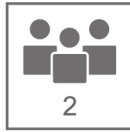


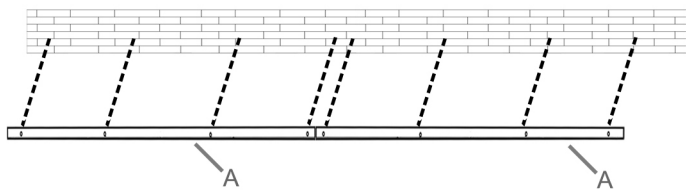
# LOBERON

COMING HOME

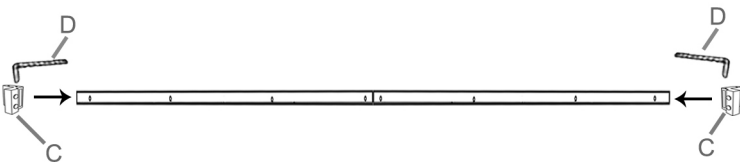


Ax2 	Bx1 	B1x1 	Cx2 	Dx1 	Ex8 	Fx8 
			Gx4 	Hx8 	Ix2 	Jx4 
				$\phi 4\text{mm}$	$\phi 10 \times 140\text{mm}$	
				$\phi 3.5 \times 20\text{mm}$		$\phi 3.5 \times 40\text{mm}$

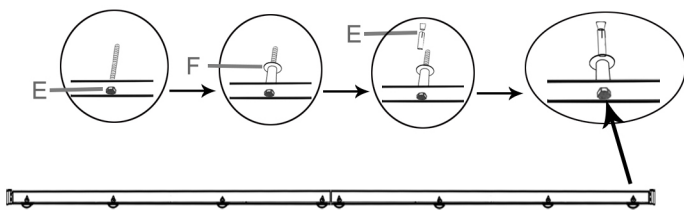
1



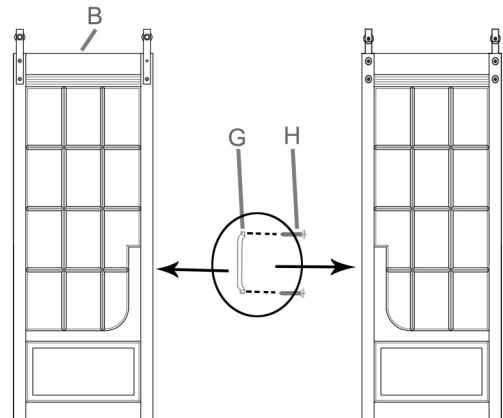
2



3



4



5

