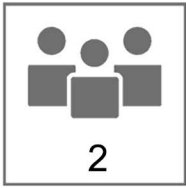
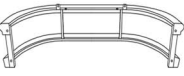









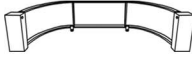










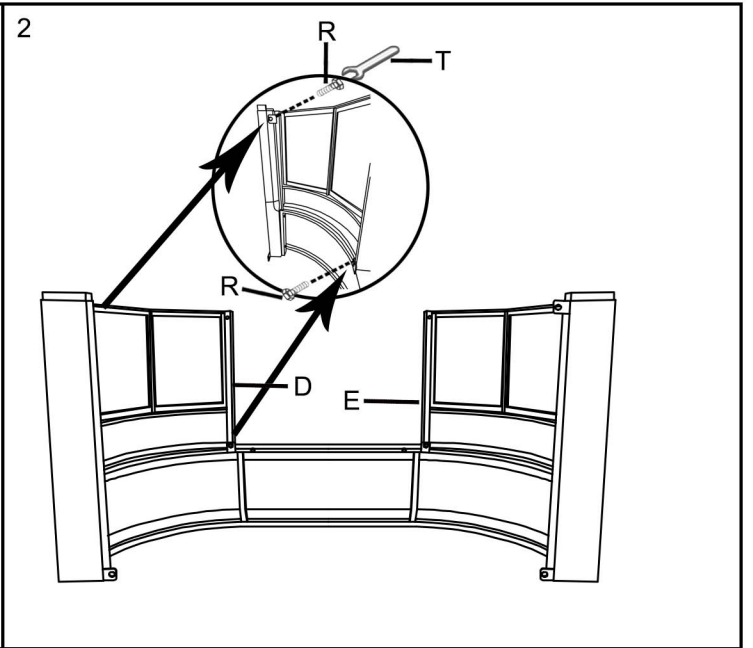
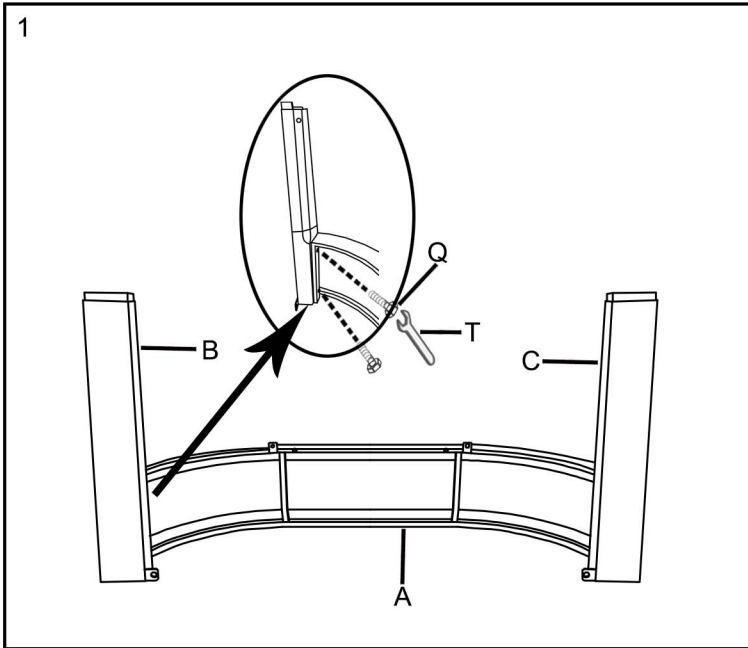


LOBERON

COMING HOME

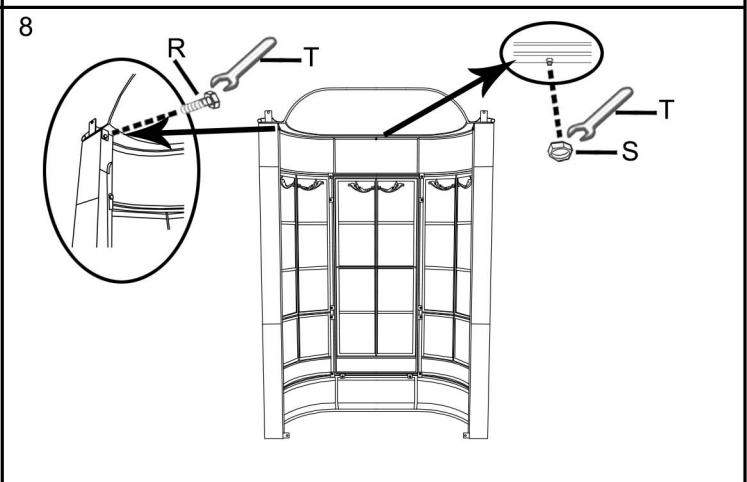
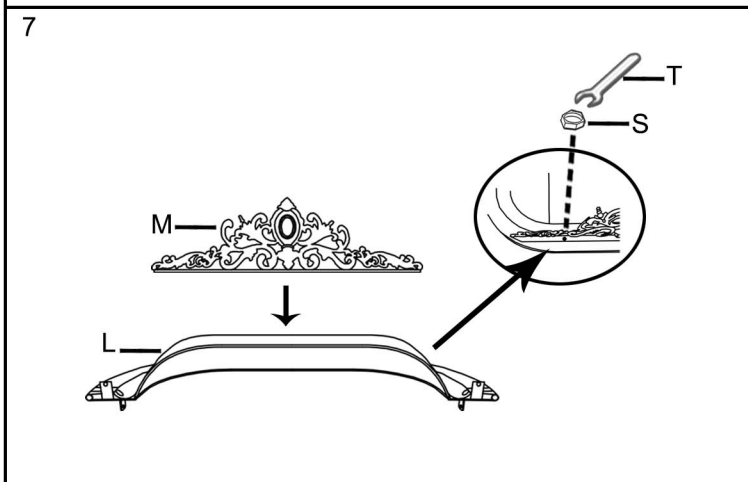
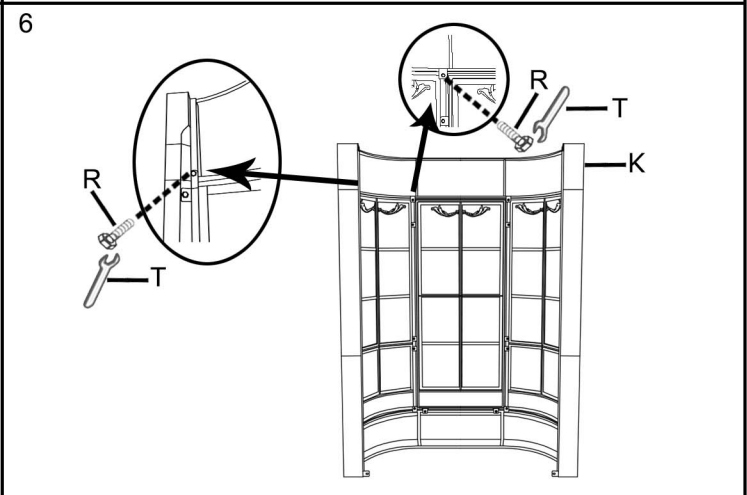
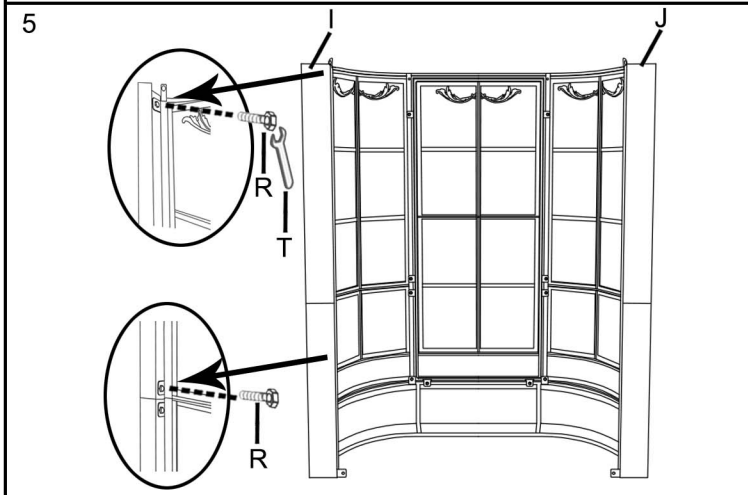
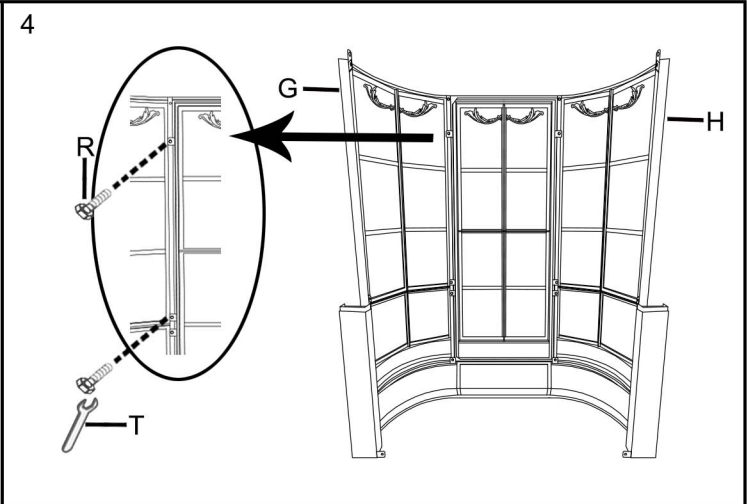
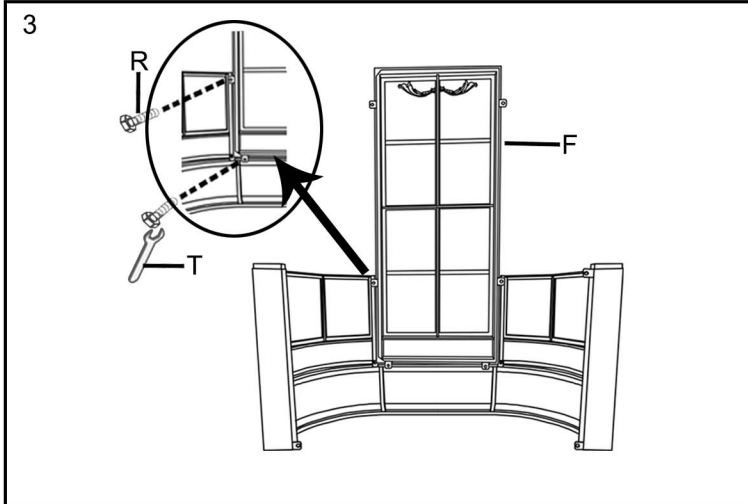


| | | | | | | |
|--|--|---|--|--|--|---|
| Ax1  | Bx1  | Cx1  | Dx1  | Ex1  | Fx1  | Gx1  |
| Hx1  | Ix1  | Jx1  | Kx1  | Lx1  | Mx1  | Nx1  |
| Ox1  | Px1  | Qx4  φ8x40mm | Rx22  φ8x20mm | Sx3  φ8mm | Tx1  φ8mm | Ux4  φ6x80mm |



LOBERON

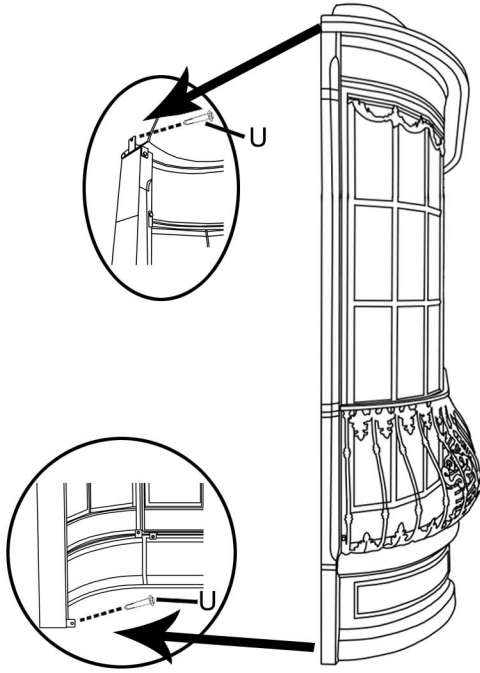
COMING HOME



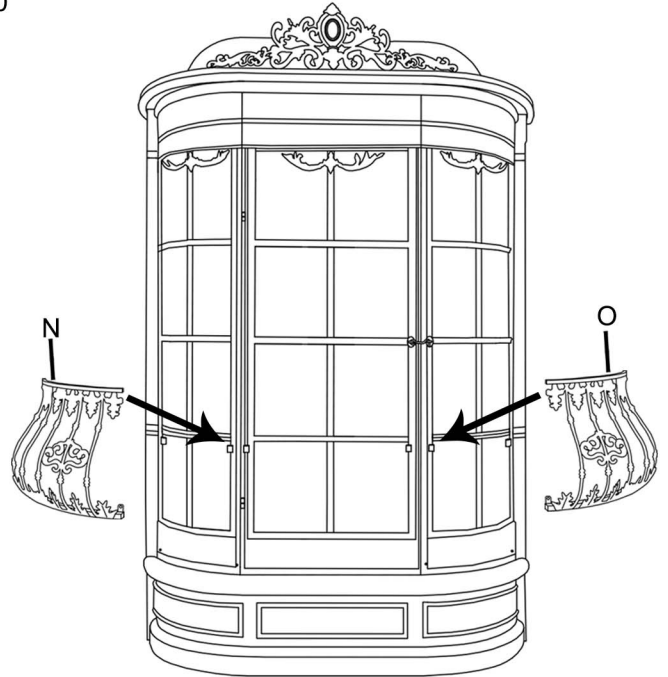
LOBERON

COMING HOME

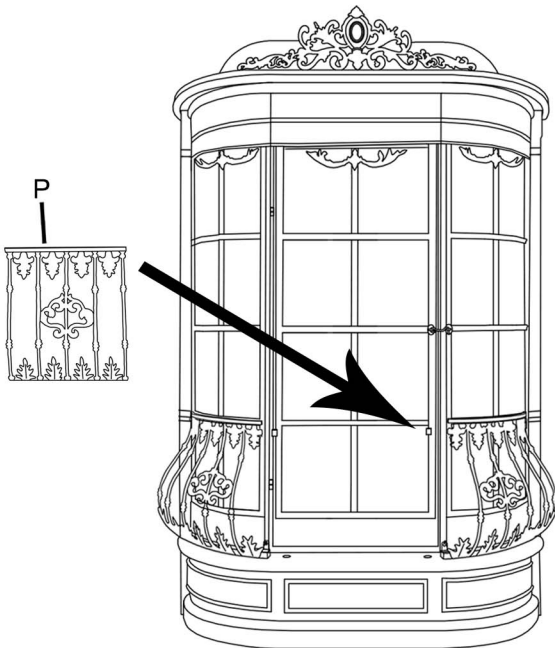
9



10



11



12

