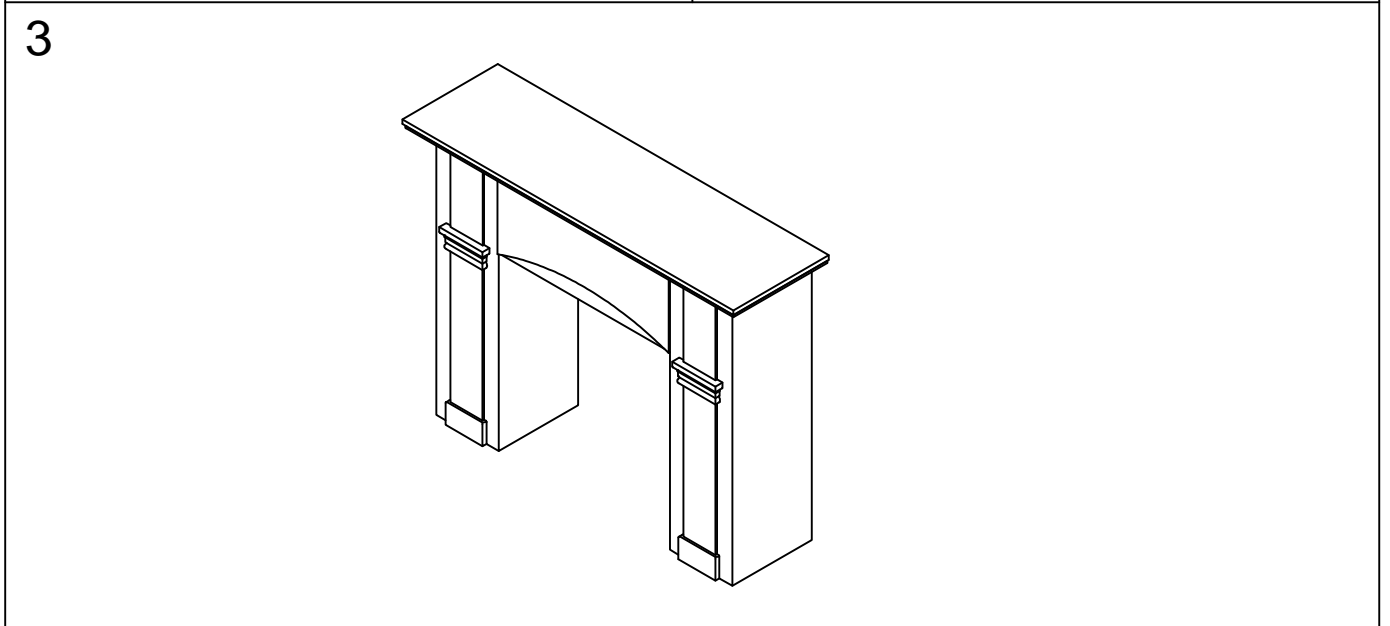
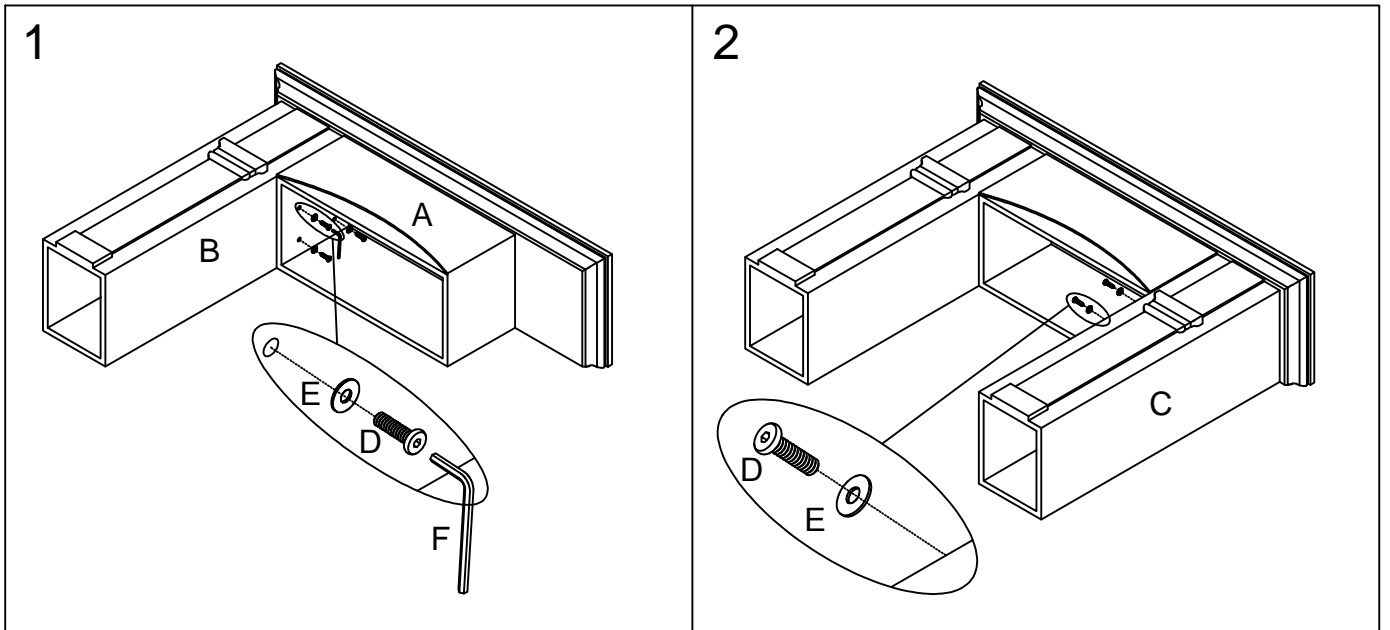


LOBERON

COMING HOME

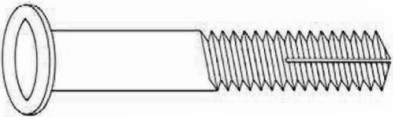
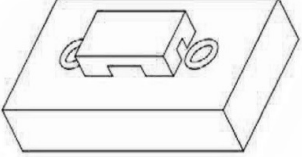
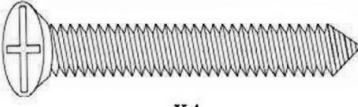


AX1 	BX1 	CX1 	DX6 M6*40	EX6 φ6, φ14	FX1
---------	---------	---------	------------------	--------------------	---------



LOBERON
COMING HOME



<p>A M8*41 X4</p> 	<p>B 45*19*9 X2</p> 
<p>C M4*30 X4</p> 	<p>D M11*L245 X2</p> 