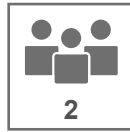
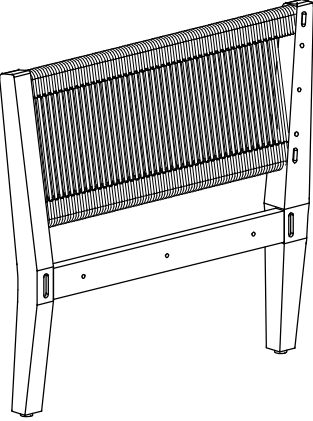
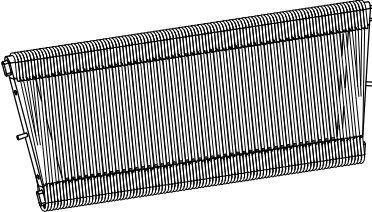


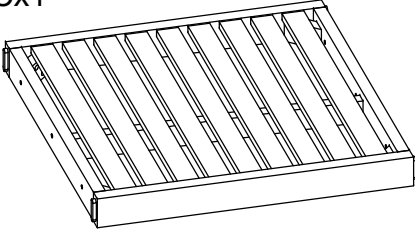

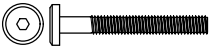
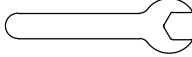



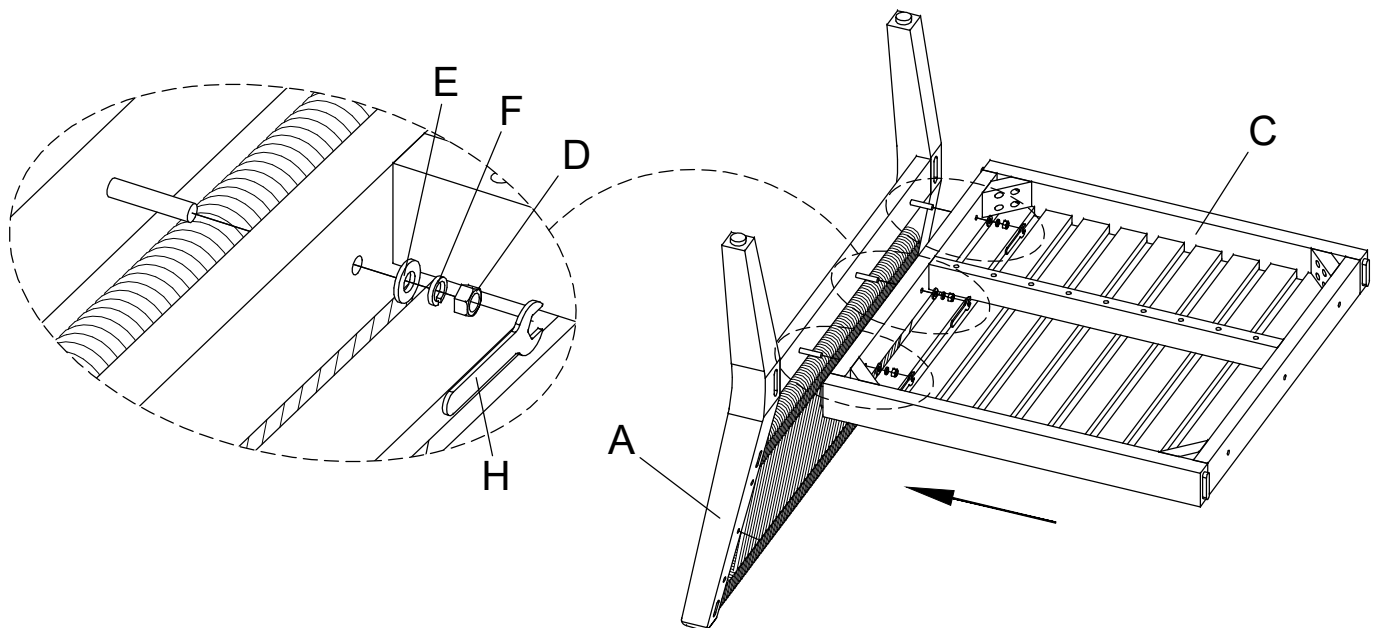
# LOBERON

COMING HOME



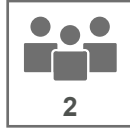
<b>Ax2</b> 	<b>Bx1</b> 	<b>Dx6</b>  M8	<b>Ex10</b>  2x(Ø9+Ø16)mm
	<b>Cx1</b> 	<b>Fx10</b>  2x(Ø8.5+Ø12)mm	<b>Gx4</b>  M8 x 90mm
		<b>Hx1</b>  Key 13	<b>Ix1</b>  4 mm

1

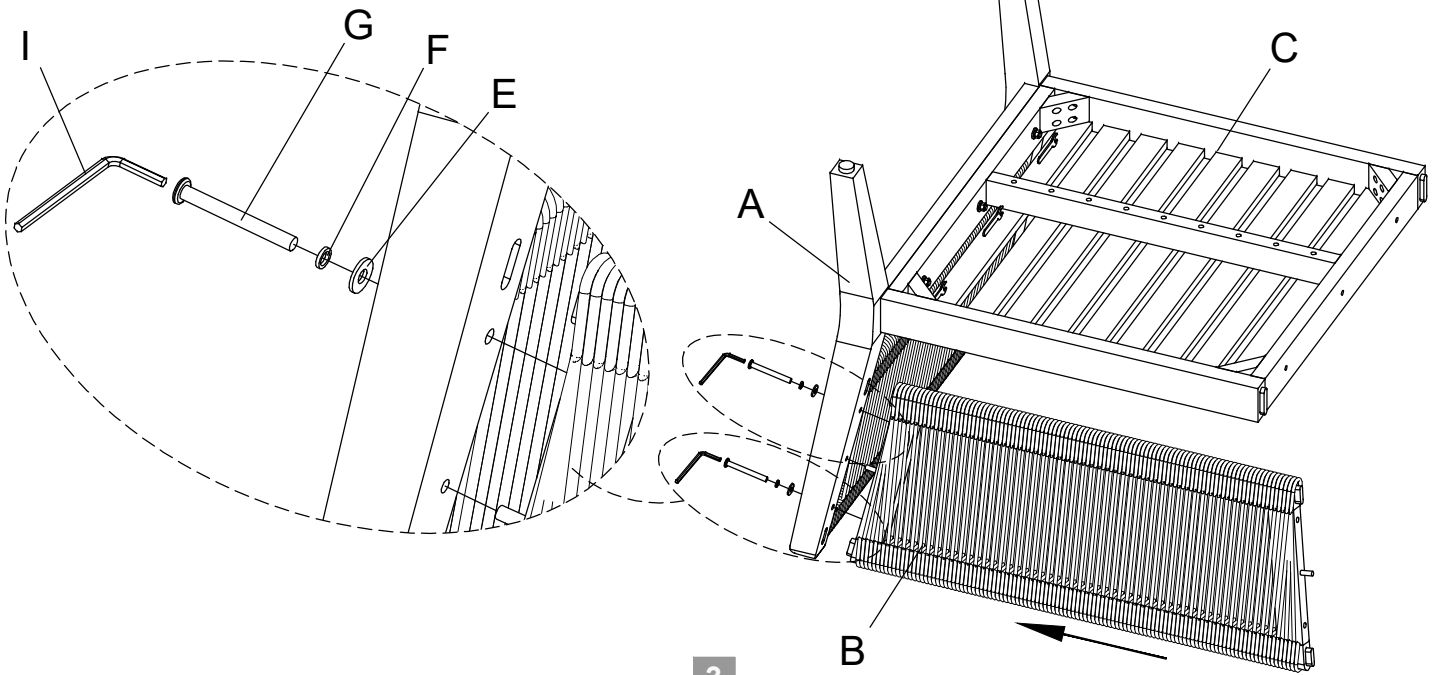


# LOBERON

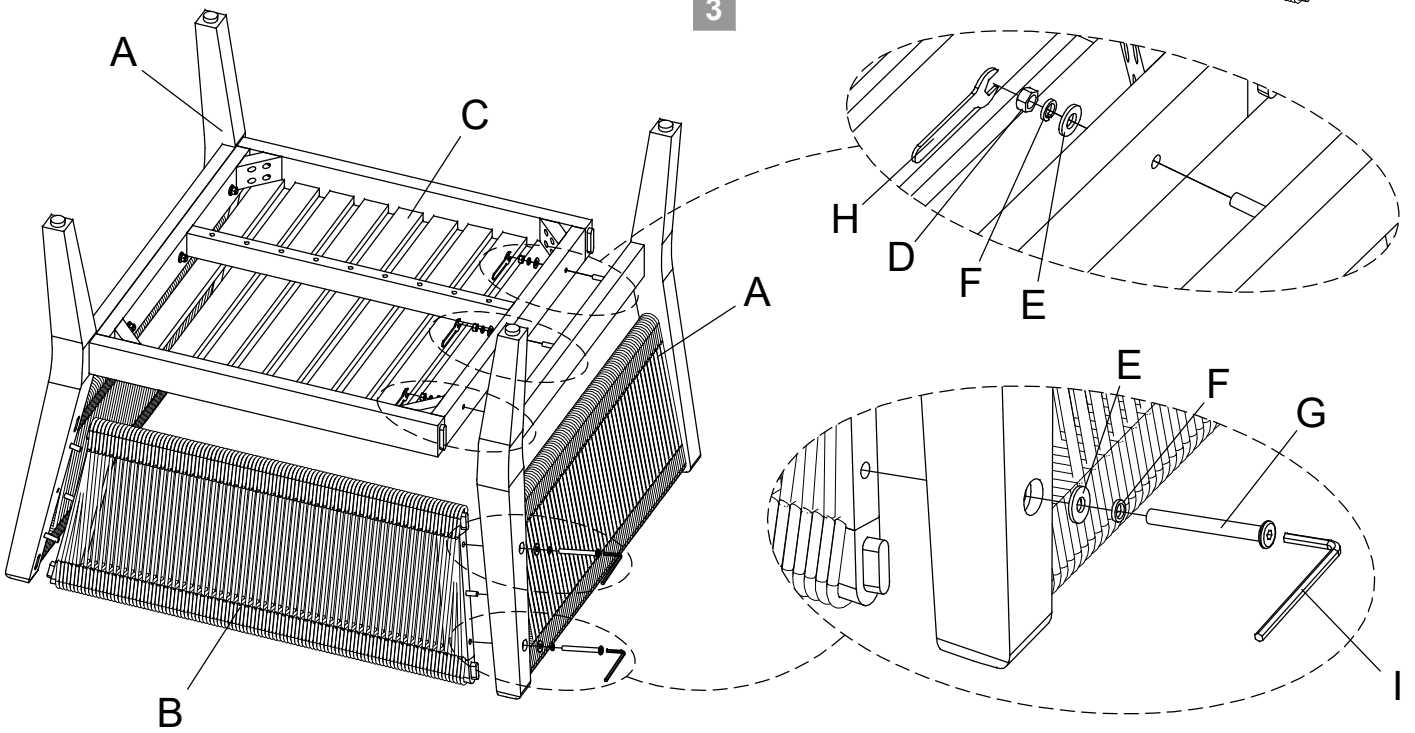
COMING HOME



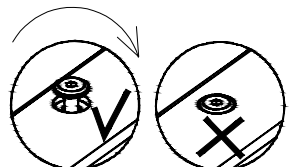
2



3



50%



# LOBERON

COMING HOME

