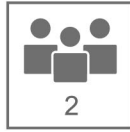
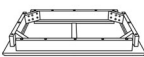






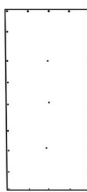
















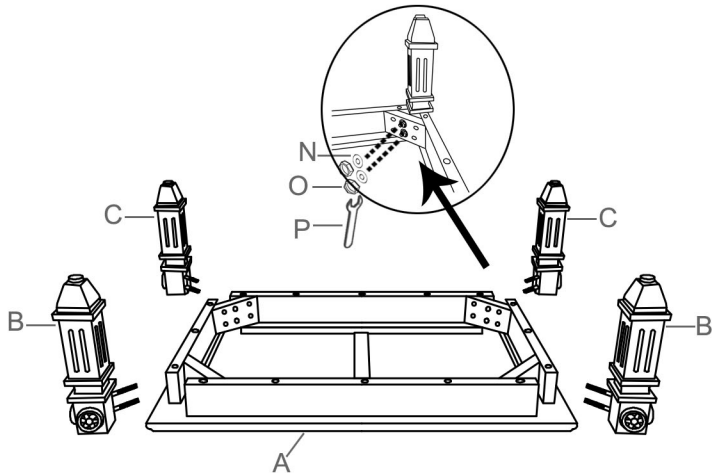
LOBERON

COMING HOME

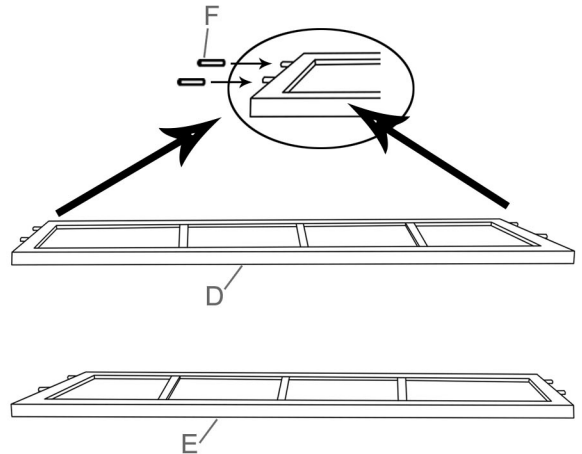


Ax1 	Bx2 	Cx2 	Dx1 	Ex1 	Fx8  φ10x40mm
Gx1 	Hx1 	Ix3 	Jx6 	Kx1 	Lx1 
Mx2 	Nx8  φ8	Ox8  φ8	Px1  φ8	Qx8  φ6	
Rx8  φ6x50mm	Sx1  φ8	Tx27  φ3.5x25mm	Ux12  φ3.5x20mm	Vx18  φ2.5x20mm	

1



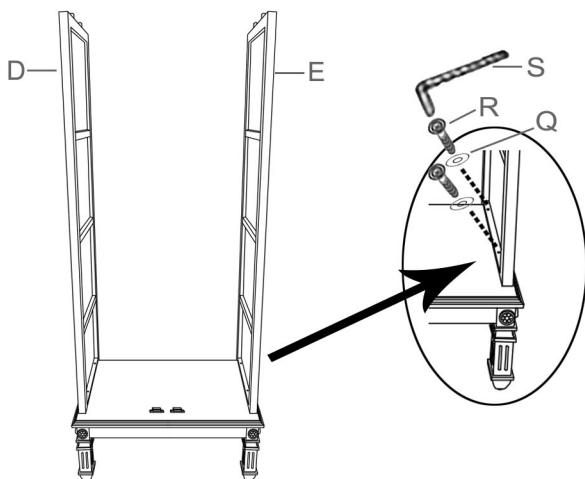
2



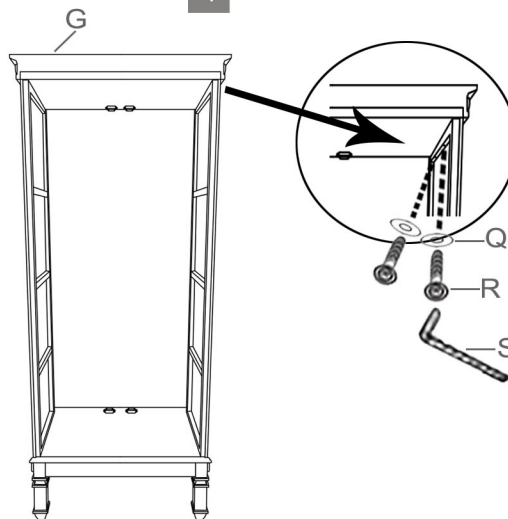
LOBERON

COMING HOME

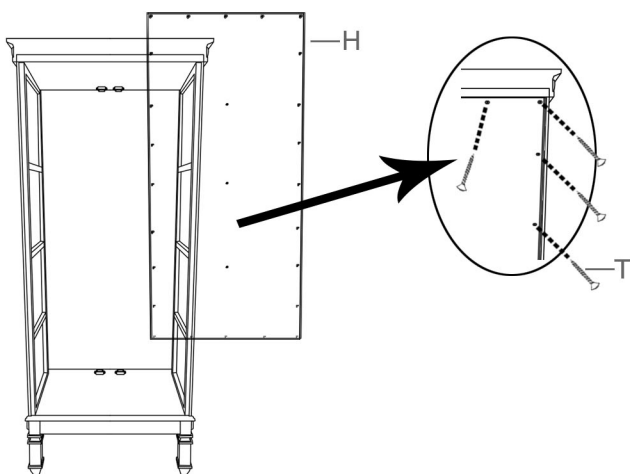
3



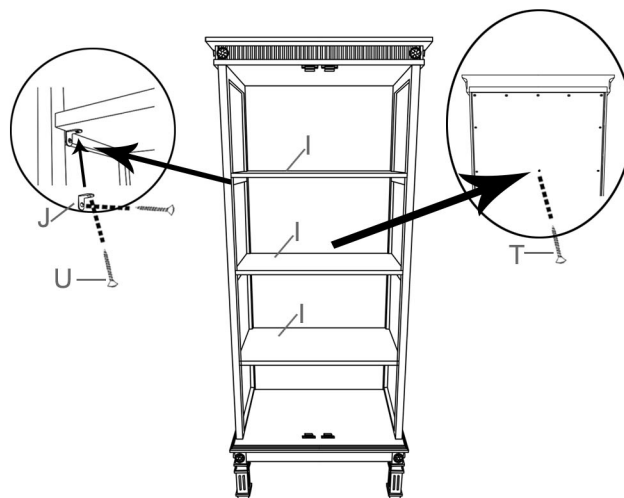
4



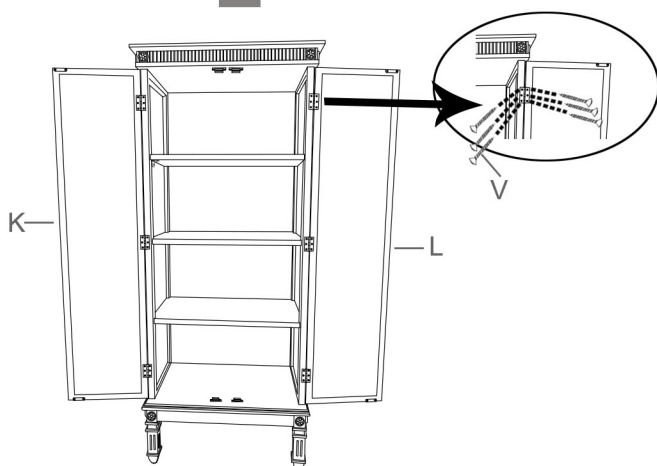
5



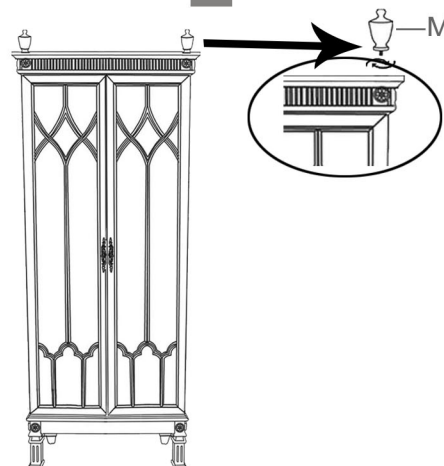
6



7

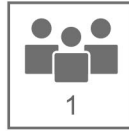


8

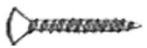


LOBERON

COMING HOME

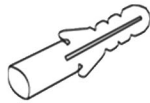


Ax2



$\phi 3.5 \times 40 \text{mm}$

Bx2



Cx2

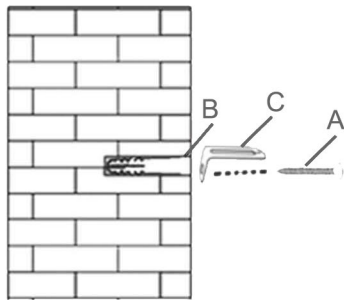


Dx2

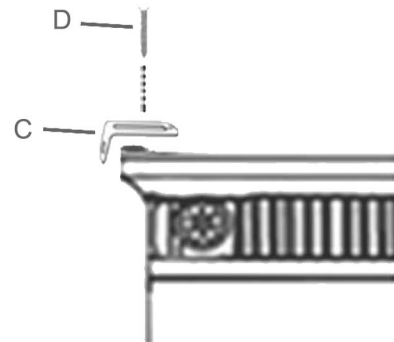


$\phi 3.5 \times 20 \text{mm}$

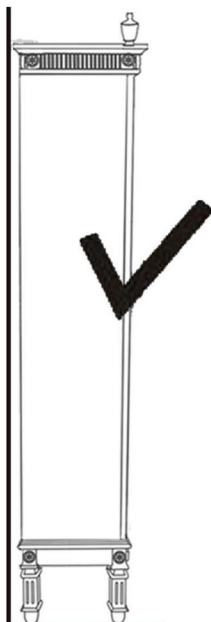
1



2



3



4

