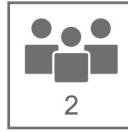


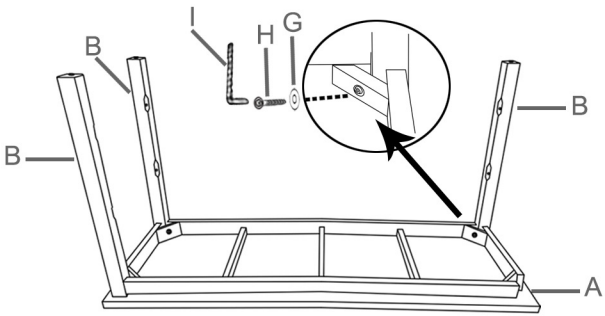
LOBERON

COMING HOME

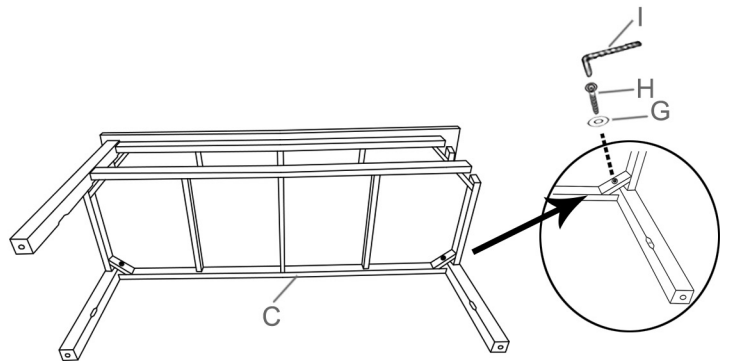


| | | | | | | |
|-------------------|-----------------------------|-------------------|-------------------------------|---------|---------|-------------------------------|
| Ax1 | Bx4 | Cx2 | Dx1 | Ex2 | Fx2 | |
| Gx12 | Hx12 | Ix1 | Jx12 | Kx2 | Lx6 | Mx6 |
| $\phi 8\text{mm}$ | $\phi 8 \times 60\text{mm}$ | $\phi 8\text{mm}$ | $\phi 3.5 \times 25\text{mm}$ | | | $\phi 3.5 \times 40\text{mm}$ |

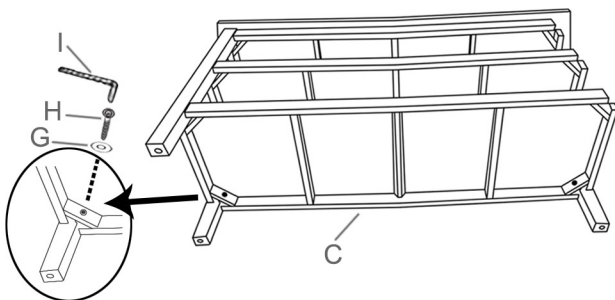
1



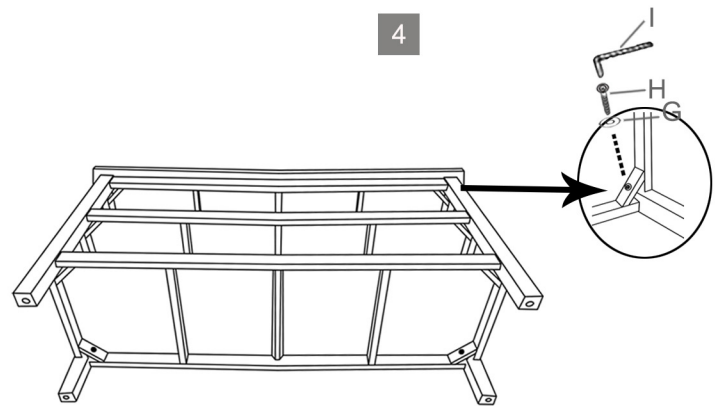
2



3



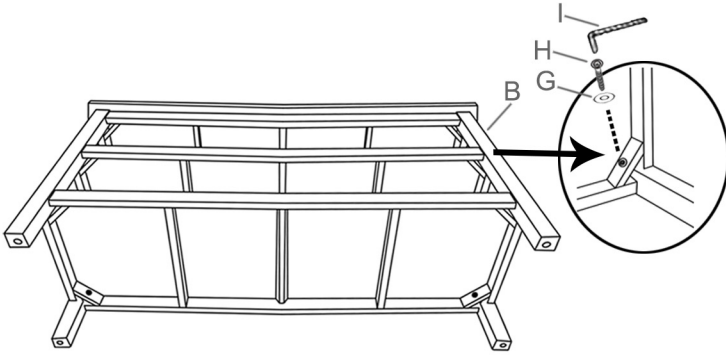
4



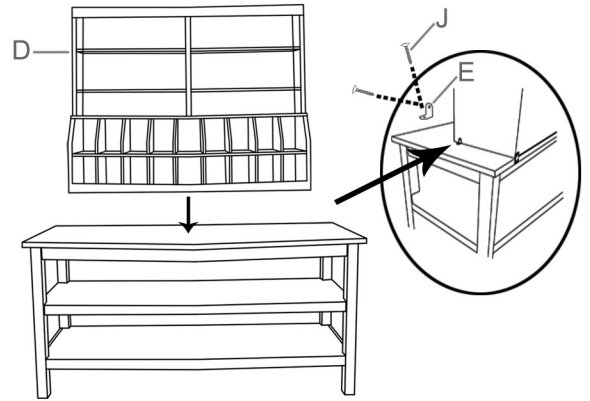
LOBERON

COMING HOME

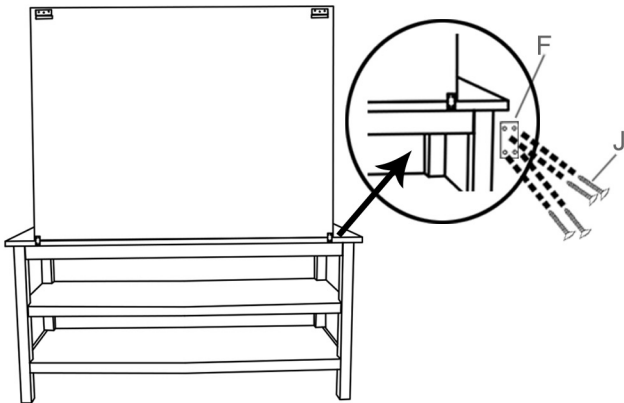
5



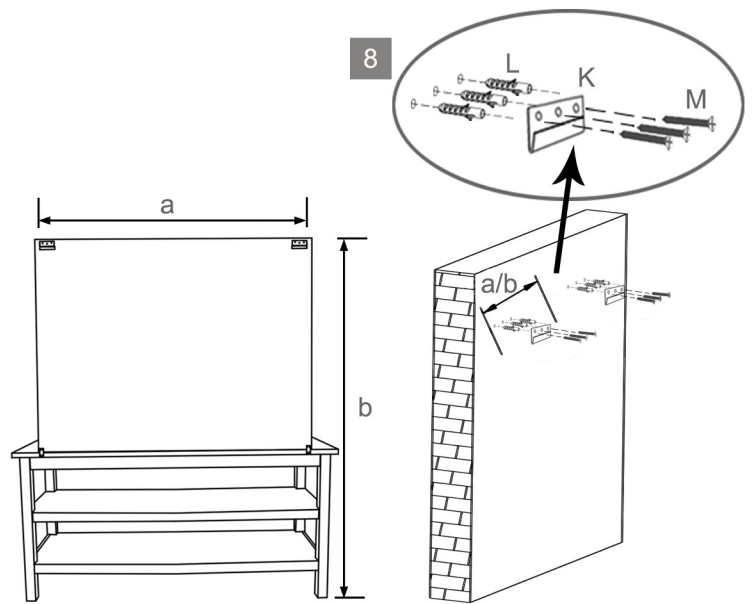
6



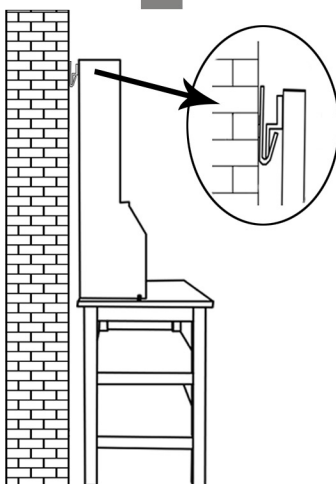
7



8



9



10

